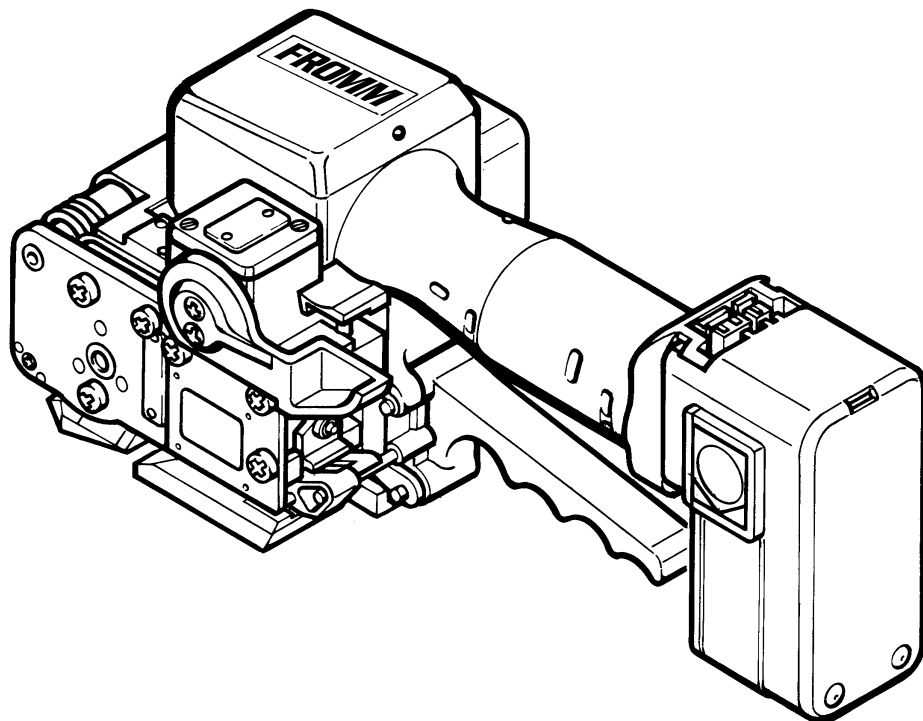


FROMM

OPERATION MANUAL / SPARE PARTS LIST

BATTERY - POWERED PLASTIC STRAPPING TOOL MODEL P320

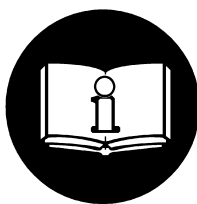
43.0324.02



	INDEX	PAGE
1	SAFETY INSTRUCTIONS	3
2	TECHNICAL DATA	4
3	ACCESSORIES	5
3.1	Battery	5
3.2	Battery - chargers	5
3.3	Wearing plate	5
3.4	Suspension	5
4	OPERATING ELEMENTS	6
5	OPERATION	6
5.1	Installation	6
5.2	Adjustments.	7
5.2.1	Preselecting of the strap tension.	7
5.2.2	Adjusting the welding time.	7
5.2.3	Adjusting the welding pressure	7
5.3	Feeding the strap around the package	8
5.4	Inserting the strap	8
5.5	Tensioning the strap	8
5.6	Sealing the straps	9
5.7	Removing the tool	9
5.8	Seal - Control	9
6	SPARE PARTS LIST 43.0324.02	12
7	CHART OF TYPES	16
8	WARRANTY CONDITIONS AND LIABILITY	16
9	APPROPRIATE USE	16
10	EXCHANGE OF WEARING PARTS	17
10.1	Exchange of tensioning wheel and grippers	17
10.2	Exchange of cutter, welding stop gripper and welding gripper	18
10.3	Adjustment of the coupler P32.1250	19
11	ELECTRIC SCHEMATIC	20
12	SERVICE	20
13	CLEANING	20

1 SAFETY INSTRUCTIONS

Read these instructions carefully. Failure to follow these instructions can result in severe personal injury.



Operation with battery

Environment protection:

- Do not dispose of used batteries in the household refuse, water or by burning them. FROMM distributors offer an environment friendly battery disposal service.

Danger of shortcircuit:

- Do not store batteries together with metal objects.
- Do not open batteries and store them only in dry and frost-proof rooms. The maximum ambient temperature is 50°C. Keep dry at all times.
- Never charge a damaged battery. Replace by a new one immediately.

Eye injury hazard

Failure to wear safety glasses with side shields can result in severe eye injury or blindness. Always wear safety glasses with side shields which conform to ANSI Standard Z87.1.



Operation

Tool must not be used by persons not properly trained in their use. Before tensioning strap, read and understand the tool operating instructions. Failure to follow the operating instructions or improper load positioning could result in strap breakage. Become familiar with your tool and keep fingers away from areas that can pinch or cut.

Joints

You are fully responsible to review the joints made by your tool. Become familiar with the seal control and seal adjustment described in this operation manual. Misformed joints may not secure the load and could cause serious injury. Never handle or ship any load with improperly formed joints.

Dispensing strap

Only dispense strap from a dispenser specifically designed for strap.

Tuck strap end back into dispenser when not in use.

Strap warnings

Never use strap as a means of pulling or lifting loads. Failure to follow these warnings can result in severe personal injury.

Strap breakage hazard

Improper operation of the tool, excessive tensioning, using strap not recommended for this tool or sharp corners on the load can result in a sudden loss of strap tension or in strap breakage during tensioning, which could result in the following:

- A sudden loss of balance causing you to fall.
- Both tool and strap flying violently towards your face.

Note as follows:

- If the load corners are sharp, use edge protectors.
- Place the strap correctly around a properly positioned load.
- Positioning yourself in-line with the strap, during tensioning and sealing, can result in severe personal injury from flying strap or tool. When tensioning or sealing, position yourself to one side of the strap and keep all bystanders away.
- Use the correct strap quality, strap width, strap gauge and strap tensile strength recommended in this manual for your tool. Using strap not recommended for this tool can result in strap breakage during tensioning.

Cutting tensioned strap

When cutting strapping, use the proper strapping cutter and keep other personnel and yourself at a safe distance from the strap. Always stand to side of the strap, away from the direction the loosened strap end will fly. Use only cutters designed for strap and never hammers, pliers, hacksaws, axes, etc.

Fall hazard

Keep your working area tidy. Untidiness of your working area may cause a risk of injury. Maintaining improper footing and/or balance when operating the tool can cause you to fall. Before tensioning and especially in elevated areas, always establish good balance. Both feet should be securely placed on a flat, solid surface, especially when working in elevated areas. Do not use the tool when you are in an awkward position.

Pay attention to the rules and regulations for preventions of accident which are valid for the work place.

Tool hazards

A well maintained tool is a safe tool!

Check tool regularly for broken or worn parts. Do not operate a tool with broken or worn parts.

Never modify any tool. Modification can result in severe bodily injury.

2 TECHNICAL DATA

Description of the tool

The tool model P320 has been designed to strap packages with plastic strapping. The plastic strapping is fed around the package manually or in combination with a strap feeder. The straps are inserted in the tool, automatically tensioned, sealed by friction welding and separated.

Tool size with battery

Length: 335 mm / 13.2"

Width: 165 mm / 6.5"

Height: 125 mm / 4.9"

Weight: 4.2 kg / 9.3 lbs

Sound information

The A-weighted equivalent continuous sound level at the work place of the machine operator is typical 76 dB (A).

This value has been determined according to DIN 45 635 T3 (11.85).

Vibration information

The weighted root mean square value of acceleration is typical below 2,5m/s².

This value has been determined according to DIN EN 28 662 T1 (01.93).

Strap material

Strap qualities: PET (Polyester) and PP (Polypropylen) plain or embossed.

Use only plastic straps recommended by your sales shop (name and address on the rear of the operation manual).

Strap dimensions: 10.0 - 16.0 mm / 3/8 - 5/8" x 0.4 - 1.05 mm / .016 - .041" (see chart of types).

Use only plastic straps with the correct strap dimensions for your tool.

Strap tension

Tensioning force: Adjustable from 400 - max. 2000 N / 90 - max. 450 lbs.
The maximum value depends on the strap quality.

Tensioning speed: approx. 270 mm/s / 10.6"/sec.

Seal efficiency: approx. 75% of the tensile strength of the plastic strap (depending on the strap quality).

Battery

Voltage / capacity: 12 VDC / 2.0 Ah

Strappings per charge: approx. 250 strappings with PP strap
approx. 120 strappings with PET strap
(depending on the strap quality, strap dimensions, ambient temperature, tensioning distance etc.)

Life cycle: approx. 3000 charges

Charging time:

Battery - charger:	N5.4401	N5.4402	N5.4403	N5.4404	N5.4405
Charging time:	approx. 20 min	approx. 20 min	approx. 80 min	approx. 20 min	approx. 36 min

Working temperature: The ambient temperature should be between 5° and 45° C (41° and 113°F).
The best performance is achieved between 15° and 20°C (59° and 68°F).

3 ACCESSORIES

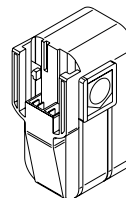


Use only parts and accessories mentioned in the operating instruction. Using other parts or accessories can cause injuries to you and other persons.

3.1 Battery

One battery is included in the P320 delivery.

Battery for replacement or exchange can be ordered under item number N5.4303.



N5.4303

3.2 Battery - chargers

The battery charger must be separately ordered according to the table mentioned below.

Item-No.	Voltage / frequency	Admitted for country
N5.4401	220 - 240V / 50 - 60Hz	A, B, BG, BIH, BOL, BR, CH, CL, CZ, D, DK, DZ, E, EAS, EST, ET, EY, F, FIN, GE, GR, H, HK, HR, I, IL, IND, IR, IRQ, IS, JOR, KSA, KWT, L, LAR, LT, LV, MA, MC, MK, MOC, N, NL, P, PK, PE, PL, PRC, PY, RA, RCH, RI, RL, RO, ROK, ROU, RP, RUS, S, SK, SLO, SYR, THA, TN, TR, UA, UAE, YU, YV, (Z), (ZA), (ZW)
N5.4402	240V / 50 - 60Hz	BRN, BRU, CY, EAK, EAT, GB, IRL, M, MAL, OM, SGP, Y
N5.4403	110V / 50Hz	GB
N5.4404	230 - 240V / 50 - 60Hz	AUS, NZ
N5.4405	110 - 127V / 50 - 60Hz	BR, C, CDN, CO, CR, DOM, EC, GCA, J, JA, KSA, LB, MEX, NIC, PA, Puerto Rico, RC, RP, USA, YV

3.3 Wearing plate

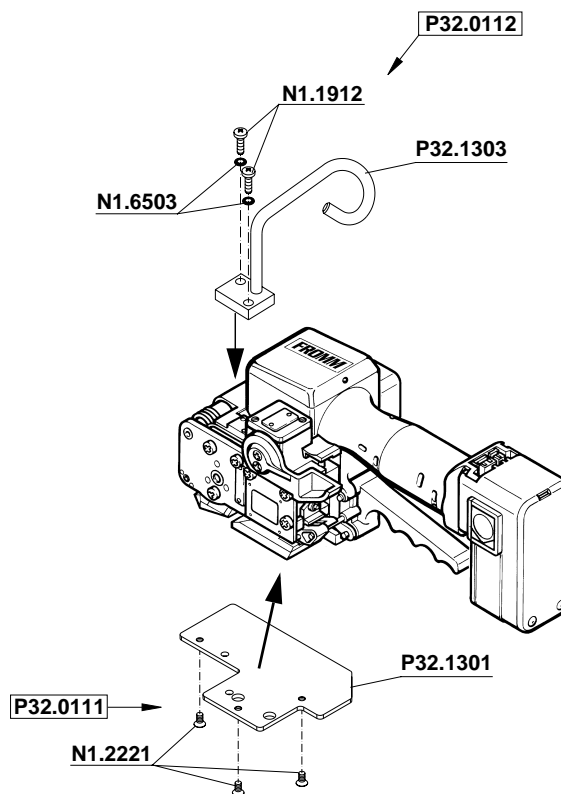
As an option, tool can be equipped with a wearing plate to protect base from excessive wear on abrasive package surfaces (like bricks, concrete blocks etc.).

The complete wearing plate can be ordered together with the fastening screws under item number P32.0111.

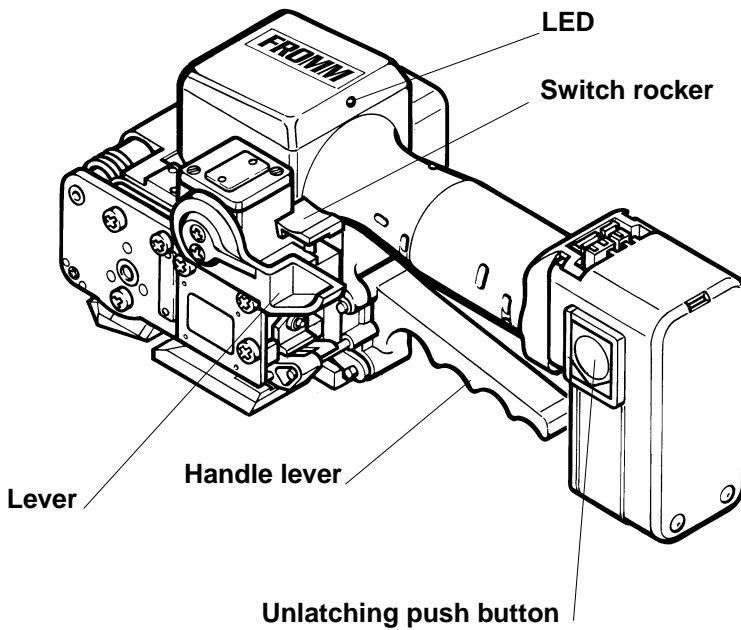
3.4 Suspension

When working stationary in normal position, the P320 can be suspended at its suspension bracket at a spring loaded balancer.

The complete suspension with the fastening screws and washers can be ordered under item number P32.0112.



4 OPERATING ELEMENTS



LED	
Red	Charge the battery.
Yellow	Cooling time is running, the lever must be held in welding position.
Green	Cooling time elapsed, turn the lever in start position.

5 OPERATION

5.1 Installation

Do not expose the tool to rain!

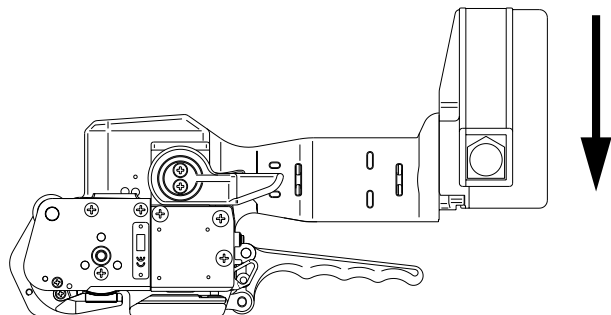
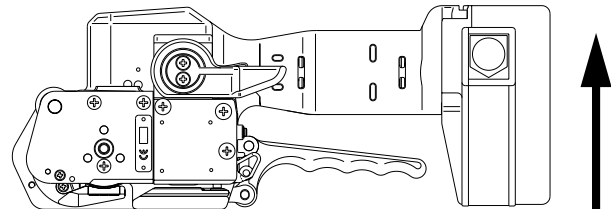
For safety reasons the battery is delivered uncharged.

Charge the battery before working. See separate operating instruction of the battery charger.

Inserting the battery

Insert the battery from bottom to top into the tool **both unlatching push buttons latch**.

Depending on the application, the battery can also be inserted from top to bottom in order to achieve a better handling.



Removing the empty battery

If the red LED starts lighting while a tensioning or welding procedure, the capacity of the battery is exhausted. All electric functions of the tool are blocked.

The seal efficiency is insufficient.

Warning! Straps with insufficient seal strength must be removed from the package!

The battery must be recharged.

Push the unlatching push buttons at both sides of the battery.

Push the battery out of the tool in the opposite direction of insertion.

5.2 Adjustments

5.2.1 Preselecting of the strap tension



**Do not adjust the tensioning force too high.
If the tensioning force is higher than the tensioning strength of the strap,
the strap will tear while the tensioning.**

The tensioning force can be steadily adjusted (400 - 2000N / 90 - 450 lbs) by means of the right adjusting knob.

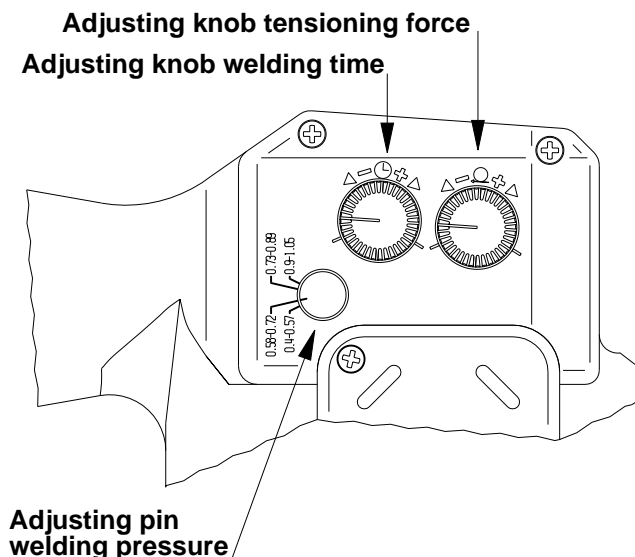
Turning clockwise increases, adjusting counterclockwise decreases the tensioning force.

5.2.2 Adjusting the welding time

Depending on the size and quality of the strap, different welding times are required.

The welding time can be adjusted at the left adjusting knob.

Turning clockwise increases, turning counterclockwise decreases the welding time.



5.2.3 Adjusting the welding pressure

In order to assure optimal welding, the pressure of the welding gripper to the straps to be welded must be within a certain range. Depending on the thickness of the strap, this pressure is adjusted by means of the adjusting pin.



When adjusting the welding pressure, the lever must be latched into its start position.

Disregarding this regulation will cause considerable trouble.

The range of thickness of the strap must be adjusted according to the strap thickness admitted for the tool (see chart of types) and the thickness of the strap to be processed.

Model	Welding pressure, Possible adjustments	
Strap thickness 0.40 - 0.64 mm (.016 - .025")	0.40 - 0.57 mm (.016 - .022") 0.58 - 0.72 mm (.023 - .028")	
Strap thickness 0.65 - 1.05 mm (.026 - .041")		0.58 - 0.72 mm (.023 - .028") 0.73 - 0.89 mm (.029 - .035") 0.90 - 1.05 mm (.035 - .041")

Adjustment:

The lever is latched and in start position!

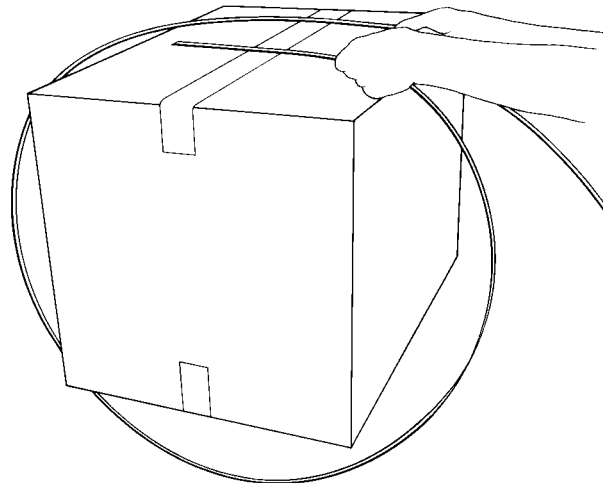
Pull out the adjusting pin of the tool, turn it into the desired position (observe the marking on the housing), release the adjusting pin (the adjusting pin must latch without assistance).

5.3 Feeding the strap around the package

The strapping is fed around the package as illustrated.

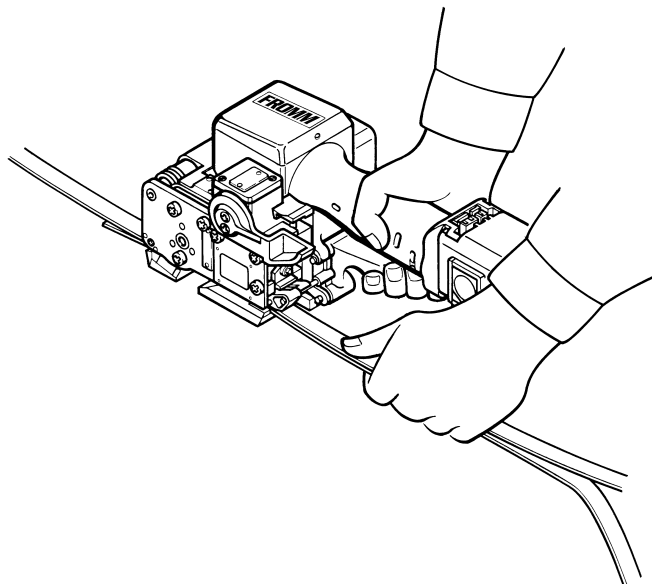


Warning! The plastic strap which will be welded must be free from oil, grease and other dirt. Dirty plastic straps can't be welded correct!



5.4 Inserting the strap

Pull up the handle lever firmly with your right hand. Insert the two straps well aligned on each other into the strap guide using your left hand. Release the handle lever.



5.5 Tensioning the strap

Press down the switch rocker and then release it again after the desired strap tension has been reached. The tensioning operation can be interrupted and restarted at any time.



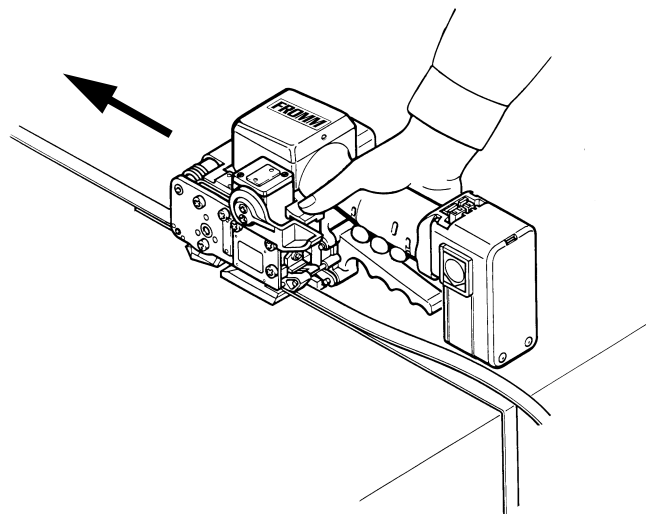
The tool must carry out a balance movement while tensioning.

Therefore:

- Don't hinder the tools movement in the signed direction.

Disregard:

- The feed wheel slips on the strap without tensioning it.



5.6 Sealing the straps



While welding the plastic straps, the lever must be pressed forward against the stop until the LED lights green. Disregarding this regulation will cause insufficient seal efficiency of the strapping and can cause severest injuries.

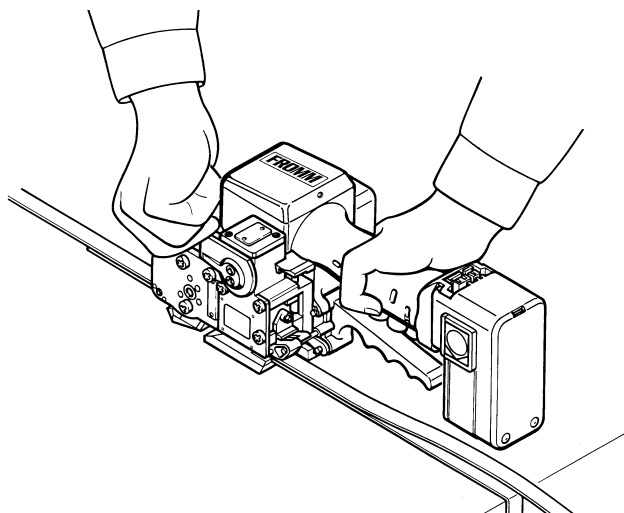
With your left hand, press the lever forward to the stop and keep the lever pressed.

The plastic strap is welded and cut off from the rest of the strap.

After expiration of the adjusted welding time (see 5.2.2) the cooling time begins (LED lights yellow).

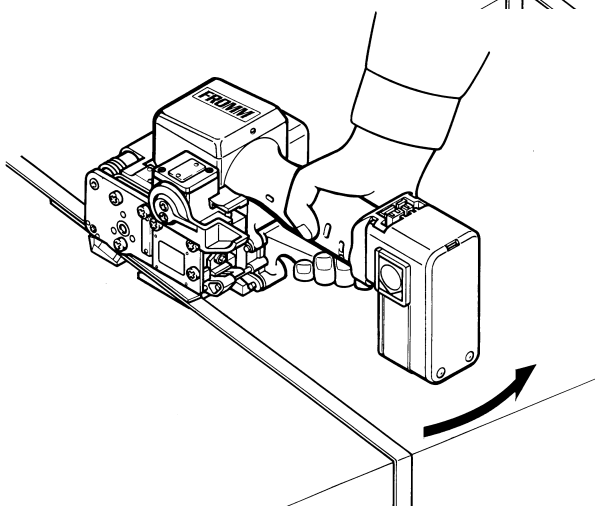
When the LED lights green, the sealing procedure is finished.

Turn back the lever until it latches in start position.



5.7 Removing the tool

Pull up the handle lever, pull the tool right / backwards and off the strapping.



5.8 Seal - Control

A regular control of the seal is necessary. The seal can be examined visually.

Make a seal, peel it apart and examine it as follows:



Correct seal

The seal must be completely welded over the whole width of the strap on a length of ca. 19 mm. Minor quantities of fused plastic may overflow on sides.



Welding time too short

The plastic strap is not welded over the whole width of the strap. The seal efficiency is insufficient.

Warning! Straps with insufficient seal strength must be removed from the package!

Adjust the welding time (see 5.2.2).

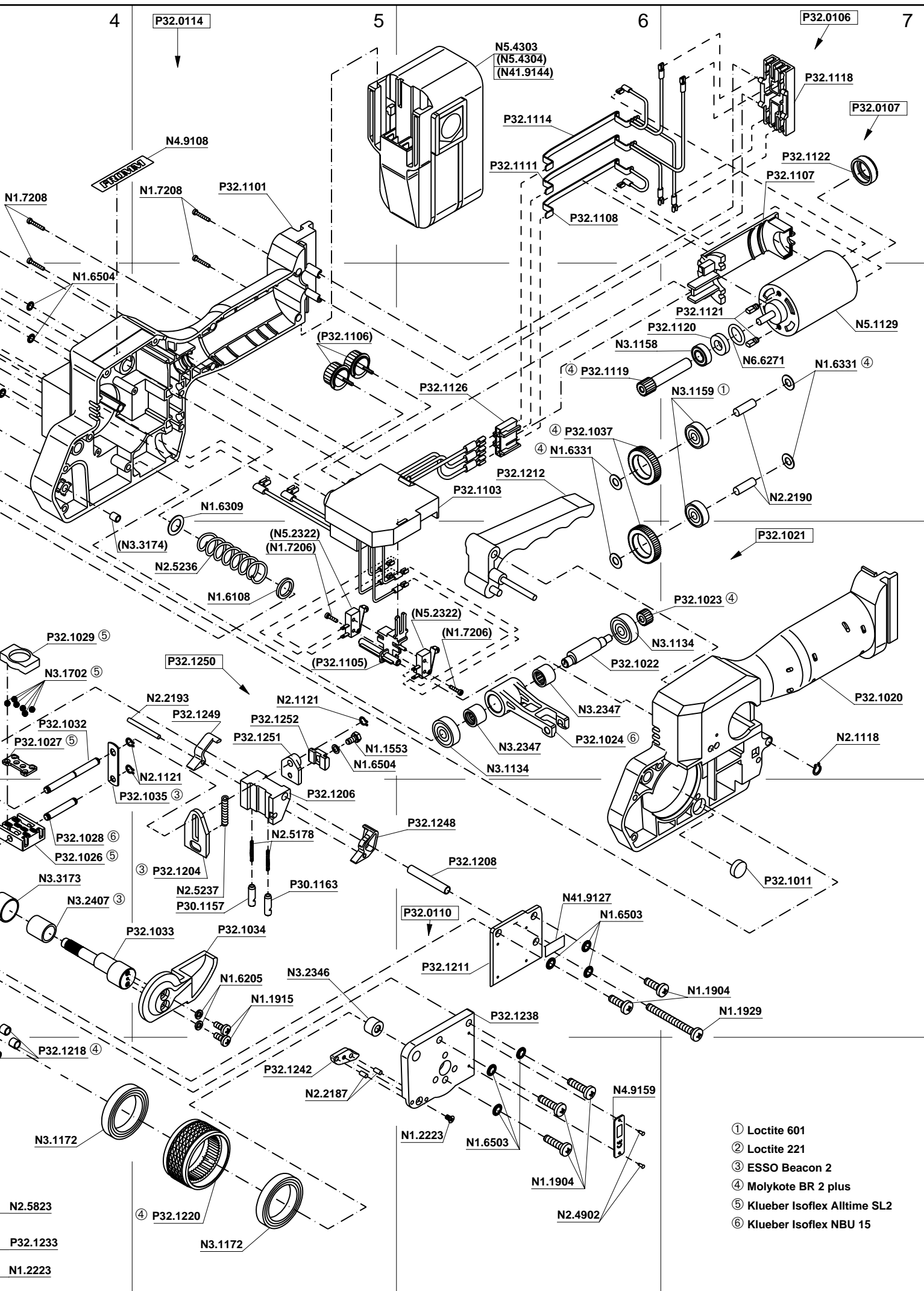


Welding time too long

If the welding time is too long the straps are overheated. The fused plastic overflows on both sides of the straps. The seal efficiency is affected.

Warning! Straps with insufficient seal strength must be removed from the package!

Adjust the welding time (see 5.2.2).



- ① Loctite 601
- ② Loctite 221
- ③ ESSO Beacon 2
- ④ Molykote BR 2 plus
- ⑤ Klüber Isoplex Alltime SL2
- ⑥ Klüber Isoplex NBU 15

6 SPARE PARTS LIST 43.0324.02

43.0324.02	P320/12.7/0.65-1.05		P320.0001.02		01/10/98
Item-No.		Pcs.	Description	Dimension	Field
N1.1305		2	SCREW	M4 X 8	D3
N1.1328	->[P32.0114]	2	SCREW	M3 X 10	C4
N1.1553	->[P32.1250]	1	HEXAGON SCREW	M4 X 8	C5
N1.1904		5	FLAT HEAD SCREW	M5 X 20	E6+
N1.1909		2	FLAT HEAD SCREW	M3 X 5	E3+
N1.1915	->[P32.0114]	2	FLAT HEAD SCREW	M4 X 8	D5
N1.1929		1	FLAT HEAD SCREW	M5 X 50	D7
N1.1934	->[P32.0114]	6	FLAT HEAD SCREW	M4 X 50	A4+
N1.2112	->[P32.0103]	3	COUNTERSUNK SCREW	M4 X 10	C1
N1.2223		2	COUNTERSUNK SCREW	M3 X 6	E4+
N1.6108	->[P32.0114]	1	WASHER	12 X 16 X 2	C5
N1.6205	->[P32.0114]	2	SPRING LOCK WASHER	M4	D5
N1.6309	->[P32.0114]	1	SPACER WASHER	10,05 X 16 X 0,5	B5
N1.6312	->[P32.0114]	1	SPACER WASHER	8 X 14 X 1,2	C2
N1.6331	->[P32.0114]	4	SPACER WASHER	6 X 12 X 0.5	B6+
N1.6503		6	SAFETY WASHER	M5	E6+
N1.6504		2	SAFETY WASHER	M4	D3
N1.6504	->[P32.0114]	6	SAFETY WASHER	M4	B3+
N1.6504	->[P32.1250]	1	SAFETY WASHER	M4	C5
N1.6505		2	SAFETY WASHER	M3	E3
N1.6505	->[P32.0114]	2	SAFETY WASHER	M3	C4
N1.7206	->[P32.1103]	2	PT-SCREW	2.2 X 10	C5+
N1.7207	->[P32.0114]	4	PT-SCREW	3 X 40	A1+
N1.7208	->[P32.0114]	4	PT-SCREW	3 X 14	A4+
N2.1107	->[P32.0114]	1	SECURITY RING	E8	C2
N2.1118		2	SECURITY RING	E6	A3+
N2.1121		1	SECURITY RING	E5	C5
N2.1121	->[P32.0114]	4	SECURITY RING	E5	C5+
N2.1801	->[P32.0114]	1	TENSIONING RING	4 MM	C1
N2.2110	->[P32.1001]	1	PARALLEL PIN	4 M6 X 10	D3
N2.2145	->[P32.0103]	3	PARALLEL PIN	4 H6 X 18	C2
N2.2187	->[P32.0110]	2	PARALLEL PIN	3M6 X 6	E5
N2.2187	->[P32.1001]	1	PARALLEL PIN	3M6 X 6	D4
N2.2188	->[P32.1001]	3	PARALLEL PIN	5H6 X 34	D3
N2.2189	->[P32.0109]	4	PARALLEL PIN	3M6 X 5	E3+
N2.2190	->[P32.0114]	2	PARALLEL PIN	6H6 X 18	B7
N2.2193		1	PARALLEL PIN	3 m6 X 32	C5
N2.2443	->[P32.0115]	1	DOWEL PIN	4 X 15 MM	B3
N2.2464	->[P32.0114]	1	DOWEL PIN	2.5 X 16	B1
N2.2601	->[P32.1001]	1	GROOVED PIN	4 X 10 MM	D3
N2.3342	->[P32.0114]	1	FEATHER KEY	2 X 2 X 10	E2
N2.4902		4	HAMMER HEAD BOLT	1,85 X 4,76	B3+
N2.5132	->[P32.0114]	1	PRESSURE SPRING	0.5 X 4 X 16	D4
N2.5157	->[P32.0114]	2	PRESSURE SPRING	0,6 X 4,8 X 20	C3
N2.5178		2	PRESSURE SPRING	0.32X2.82X20.5	D5
N2.5235	->[P32.0114]	1	PRESSURE SPRING	0.5 X 4.50 X 42.40 / 28.5	C3
N2.5236	->[P32.0114]	1	PRESSURE SPRING	0.9 X 15 X 59.7 / 7.5	C5
N2.5237		1	PRESSURE SPRING	0.8 X 4.8 X 25 / 18.5	D5
N2.5621	->[P32.0115]	14	CUP SPRING	15 X 8.2 X 0.7	C3
N2.5822	->[P32.0114]	1	TORSION SPRING	1,25/11	D1

* = Wearing Parts

[] = Group

->[] = in Group

43.0324.02	P320/12.7/0.65-1.05		P320.0001.02			01/10/98
Item-No.		Pcs.	Description	Dimension		Field
N2.5823		1	TORSION SPRING	2,8/59		E4
N3.1134	->[P32.0114]	1	BALL BEARING			C6
N3.1134	->[P32.1021]	1	BALL BEARING			C7
N3.1157	->[P32.0103]	1	BALL BEARING			D2
N3.1158	->[P32.0107]	1	BALL BEARING			B6
N3.1159	->[P32.0114]	2	BALL BEARING			B7
N3.1160	->[P32.0104]	1	BALL BEARING			C1
N3.1172		2	BALL BEARING			E4+
N3.1702	->[P32.0114]	6	BALL	4 MM		C4
N3.1703	->[P32.0114]	1	BALL	5 MM.		D4
N3.2105	->[P32.0103]	3	NEEDLE CAGE			C2
N3.2106		3	NEEDLE CAGE			D4
N3.2346	->[P32.0110]	1	NEEDLE CASE			D5
N3.2347	->[P32.0114]	2	NEEDLE BUSH			C6
N3.2407	->[P32.0114]	1	INNER RACEWAY			D4
N3.3150	->[P32.1001]	1	SLIDE-BEARING			C2
N3.3172	->[P32.0109]	3	SLIDE-BEARING			E3
N3.3172	->[P32.1001]	1	SLIDE-BEARING			E2
N3.3173	->[P32.1001]	1	SLIDE-BEARING			D4
N3.3174	->[P32.1101]	1	SLIDE-BEARING			C5
N3.4509	->[P32.1015]	1	NEEDLE FREE WHEELING			D1
N4.9108		1	ADHESIVE LABEL	54 X 12 X 0.1		A5
N4.9159		1	LABEL	<<CE>>		E6
N41.9114		1	TYPE PLATE	<<P320>>		B4
N41.9127		1	ADHESIVE LABEL			D6
N41.9144	->[N5.4303]	1	ADHESIVE LABEL			A6
N5.1129	->[P32.0107]	1	ELECTRIC MOTOR			B7
N5.1129	->[P32.0108]	1	ELECTRIC MOTOR			A2
N5.2322	->[P32.1103]	2	MICRO SWITCH			C5+
N5.2702		1	COVER			B3
[N5.4303]		1	BATTERY			A6
N5.4304	->[N5.4303]	1	HOUSING			A6
N6.6271	->[P32.0107]	1	O-RING			B7
N6.6271	->[P32.0108]	1	O-RING			A3
P30.1157		1	GUIDE PIN			D5
P30.1163		1	GUIDE PIN			D5
[P32.0103]	->[P32.0114]	1	IDLER STEP			C2
[P32.0104]	->[P32.0114]	1	SPUR WHEEL			B1
[P32.0106]	->[P32.0114]	1	ENERGY TRANSMISSION			A7
[P32.0107]	->[P32.0114]	1	WELDING MOTOR			A7
[P32.0108]	->[P32.0114]	1	TENSIONING MOTOR			A3
[P32.0109]		1	TENSIONING BODY			E3
[P32.0110]		1	END COVER			D6
[P32.0114]		1	BASE MODEL			A5
[P32.0115]	->[P32.0114]	1	SPRING PACKAGE			B3
[P32.1001]	->[P32.0114]	1	BODY			D2
P32.1002	->[P32.1001]	1	BODY			D2
P32.1003	->[P32.1001]	1	SWIVEL SHAFT			E3
P32.1006	->[P32.0103]	3	IDLER GEAR			C2
P32.1007	->[P32.0103]	1	COVER			C1
P32.1008	->[P32.0114]	1	WHEEL			C1
P32.1009	->[P32.0104]	1	SPUR WHEEL			C1
P32.1010	->[P32.0114]	1	FRONT TOGGLE LINK			E2

* = Wearing Parts

[] = Group

->[] = in Group

43.0324.02	P320/12.7/0.65-1.05		P320.0001.02		01/10/98
Item-No.		Pcs.	Description	Dimension	Field
P32.1011	->[P32.0114]	2	FELT		C3+
P32.1012	->[P32.0114]	1	COUPLER		D2
P32.1013	->[P32.0114]	1	LEVER		D1
P32.1014	->[P32.0114]	1	SHAFT		D2
[P32.1015]	->[P32.0114]	1	RATCHET WHEEL		C1
P32.1016	->[P32.1015]	1	SPUR WHEEL		D1
P32.1017	->[P32.0114]	1	STANCHION		C1
P32.1018	->[P32.0114]	1	CARTRIDGE		C3
P32.1019	->[P32.0114]	1	SWITCH ROCKER		C2
P32.1020	->[P32.0114]	1	MOTOR HOUSING		C7
[P32.1021]	->[P32.0114]	1	WELDING EXCENTRIC		C7
P32.1022	->[P32.1021]	1	WELDING EXCENTRIC		C6
P32.1023	->[P32.1021]	1	PINION		C7
P32.1024	->[P32.0114]	1	ROCKER		C6
P32.1026	* ->[P32.0114]	1	WELDING GRIPPER		D4
P32.1027	->[P32.0114]	1	BALL CAGE		C4
P32.1028	->[P32.0114]	1	BOLT		D4
P32.1029	->[P32.0114]	1	THRUST PIECE		C4
P32.1030	->[P32.0115]	1	SPRING BOLT		C3
P32.1031	->[P32.0115]	1	SPRING SLIDE		B3
P32.1032	->[P32.0114]	1	DRIVING PIN		C4
P32.1033	->[P32.0114]	1	ECCENTRIC SHAFT		D5
P32.1034	->[P32.0114]	1	LEVER		D5
P32.1035	->[P32.0114]	2	DRIVER		D4+
P32.1036	->[P32.0114]	1	COVER		C4
P32.1037	->[P32.0114]	2	SPUR WHEEL		B6
P32.1039	->[P32.0114]	1	SHAFT		B2
[P32.1040]	->[P32.0103]	1	PLANET SHAFT		C2
P32.1041	->[P32.0114]	1	CAM		B2
[P32.1101]	->[P32.0114]	1	MOTOR HOUSING		A5
[P32.1103]	->[P32.0114]	1	CIRCUIT BOARD		B6
P32.1105	->[P32.1103]	1	RETAINER		C5
P32.1106	->[P32.1103]	2	TURNING BUTTON		B5
P32.1107	->[P32.0106]	1	MOTOR SUPPORT		A7
[P32.1108]	->[P32.0106]	1	BUSBAR		A6
[P32.1111]	->[P32.0106]	1	BUSBAR		A6
[P32.1114]	->[P32.0106]	1	BUSBAR		A6
P32.1118	->[P32.0106]	1	CONNECTING PLATE		A7
P32.1119	->[P32.0107]	1	PINION		B6
P32.1120	->[P32.0107]	1	FELT WASHER		B7
P32.1121	->[P32.0107]	2	TORSIONAL STOP		B7
P32.1121	->[P32.0108]	2	TORSIONAL STOP		A3
P32.1122	->[P32.0107]	1	RUBBER BUSHING		A7
P32.1122	->[P32.0108]	1	RUBBER BUSHING		B2
P32.1123	->[P32.0108]	1	PINION		A3
P32.1124	->[P32.0114]	1	INSERT		A1
P32.1125	->[P32.0114]	1	MOTOR COVER		A1
P32.1126	->[P32.0106]	1	PLUG SOCKET		B6
P32.1202		1	STEEL INSERT		E1
P32.1203	*	1	WELDING STOP GRIPPER		E1
P32.1204	*	1	CUTTER		D5
P32.1206		1	GUIDE CASE		D5
P32.1208		1	CENTERING SLEEVE		D6

* = Wearing Parts

[] = Group

->[] = in Group

43.0324.02	P320/12.7/0.65-1.05		P320.0001.02		01/10/98
Item-No.		Pcs.	Description	Dimension	Field
P32.1210		2	CENTERING SLEEVE		D4
P32.1211		1	COVER		D6
[P32.1212]		1	HANDLE LEVER		B6
P32.1215		1	HANDLE SHAFT		A4
P32.1216		1	PRESSURE ROLLER		E2
P32.1217		3	IDLER GEAR		D3
P32.1218		3	DOWEL		E4
P32.1220	*	1	TENSIONING WHEEL		E5
P32.1221	->[P32.0109]	1	TENSIONING BODY		E3
P32.1225	*	1	GRIPPER		E4
P32.1226	*	1	GRIPPER		E4
P32.1227	*	1	GRIPPER		E4
P32.1228		1	HOLDER		E3
P32.1229		1	HOLDER		E3
P32.1233		1	STRAP STOP		E4
P32.1238	->[P32.0110]	1	END COVER		D6
P32.1242		1	STRAP GUIDE		E5
P32.1248		1	SEESAW LEVER		D6
P32.1249		1	SEESAW LEVER		C5
[P32.1250]		1	COUPLER		C5
P32.1251	->[P32.1250]	1	COUPLER		C5
P32.1252	->[P32.1250]	1	THRUST PIECE		C5

* = Wearing Parts

[] = Group

->[] = in Group

7 CHART OF TYPES

Item No.	Model	Strap width	Strap thickness
43.0301	P320/10/0.40-0.64	10.0 mm / 3/8"	0.4 - 0.64 mm / .016 - .025"
43.0302	P320/10/0.65-1.05	10.0 mm / 3/8"	0.65 - 1.05 mm / .026 - .041"
43.0311	P320/11.1/0.40-0.64	11.1 mm / 7/16"	0.4 - 0.64 mm / .016 - .025"
43.0312	P320/11.1/0.65-1.05	11.1 mm / 7/16"	0.65 - 1.05 mm / .026 - .041"
43.0321	P320/12/0.40-0.64	12.0 mm	0.4 - 0.64 mm / .016 - .025"
43.0322	P320/12/0.65-1.05	12.0 mm	0.65 - 1.05 mm / .026 - .041"
43.0323	P320/12.7/0.40-0.64	12.7 mm / 1/2"	0.4 - 0.64 mm / .016 - .025"
43.0324	P320/12.7/0.65-1.05	12.7 mm / 1/2"	0.65 - 1.05 mm / .026 - .041"
43.0331	P320/13/0.40-0.64	13.0 mm	0.4 - 0.64 mm / .016 - .025"
43.0332	P320/13/0.65-1.05	13.0 mm	0.65 - 1.05 mm / .026 - .041"
43.0351	P320/15/0.40-0.64	15.0 mm	0.4 - 0.64 mm / .016 - .025"
43.0352	P320/15/0.65-1.05	15.0 mm	0.65 - 1.05 mm / .026 - .041"
43.0353	P320/15.5/0.40-0.64	15.5 mm	0.4 - 0.64 mm / .016 - .025"
43.0354	P320/15.5/0.65-1.05	15.5 mm	0.65 - 1.05 mm / .026 - .041"
43.0361	P320/16/0.40-0.64	16.0 mm / 5/8"	0.4 - 0.64 mm / .016 - .025"
43.0362	P320/16/0.65-1.05	16.0 mm / 5/8"	0.65 - 1.05 mm / .026 - .041"

8 WARRANTY CONDITIONS AND LIABILITY

FROMM HOLDING AG warrants all its strapping tools and -machine heads during a period of 90 days from the date of sale. The warranty includes all deficiencies clearly resulting from poor manufacturing or faulty materials.

The warranty excludes:

- wearing parts,
- deficiencies resulting from improper installing, incorrect handling and maintaining the tool,
- deficiencies resulting from using the tool without or with defective security- and safety devices,
- disregard of directions in the operation manual,
- arbitrary modifications of the tool,
- deficient control of wearing parts,
- deficient repair works of the tool.

We reserve the right to modify the product at any time in order to improve its quality.

9 APPROPRIATE USE

The tool model P320 has been designed to strap packages with plastic strapping exclusively.

The warranty / liability excludes:

- non appropriate use of the tool,
- disregard of directions in the operation manual,
- disregard of control- and maintenance instructions.

10 EXCHANGE OF WEARING PARTS

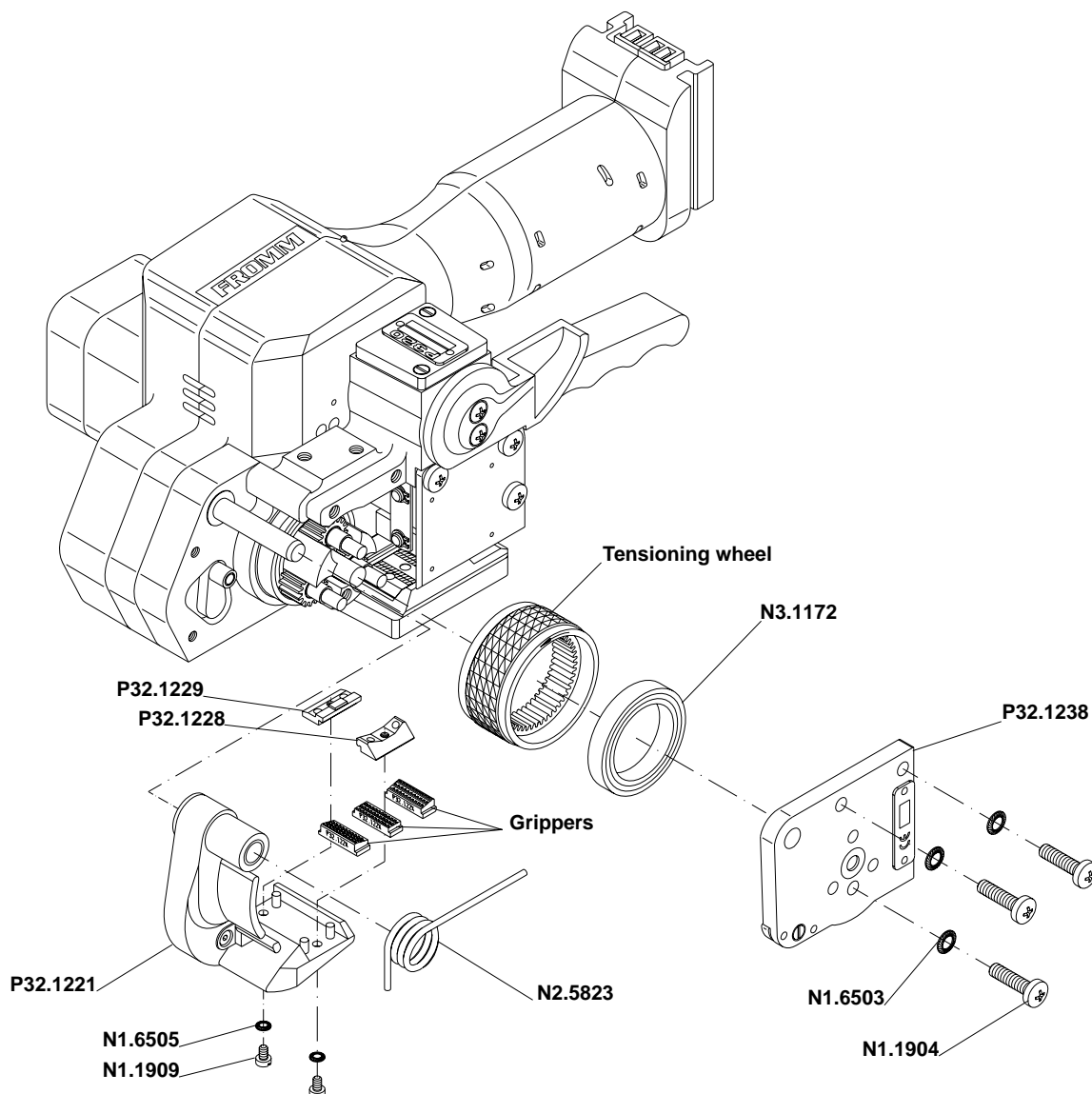


Remove always the battery from the tool before starting maintenance works.

10.1 Exchange of tensioning wheel and grippers

Disassembling

- Unscrew end cover P32.1238 and remove it;
- Remove the torsion spring N2.5823;
- Remove the tensioning body P32.1221;
- Remove the tensioning wheel together with the bearing N3.1172 from the tool;
- Unscrew the holders P32.1228 and P32.1229 and remove them from the tensioning body;
- Remove the grippers from the tensioning body .



Assembling

Assembling in opposite order. Observe the following:

- Lubricate the internal toothing of the tensioning wheel with Molykote BR 2 plus.

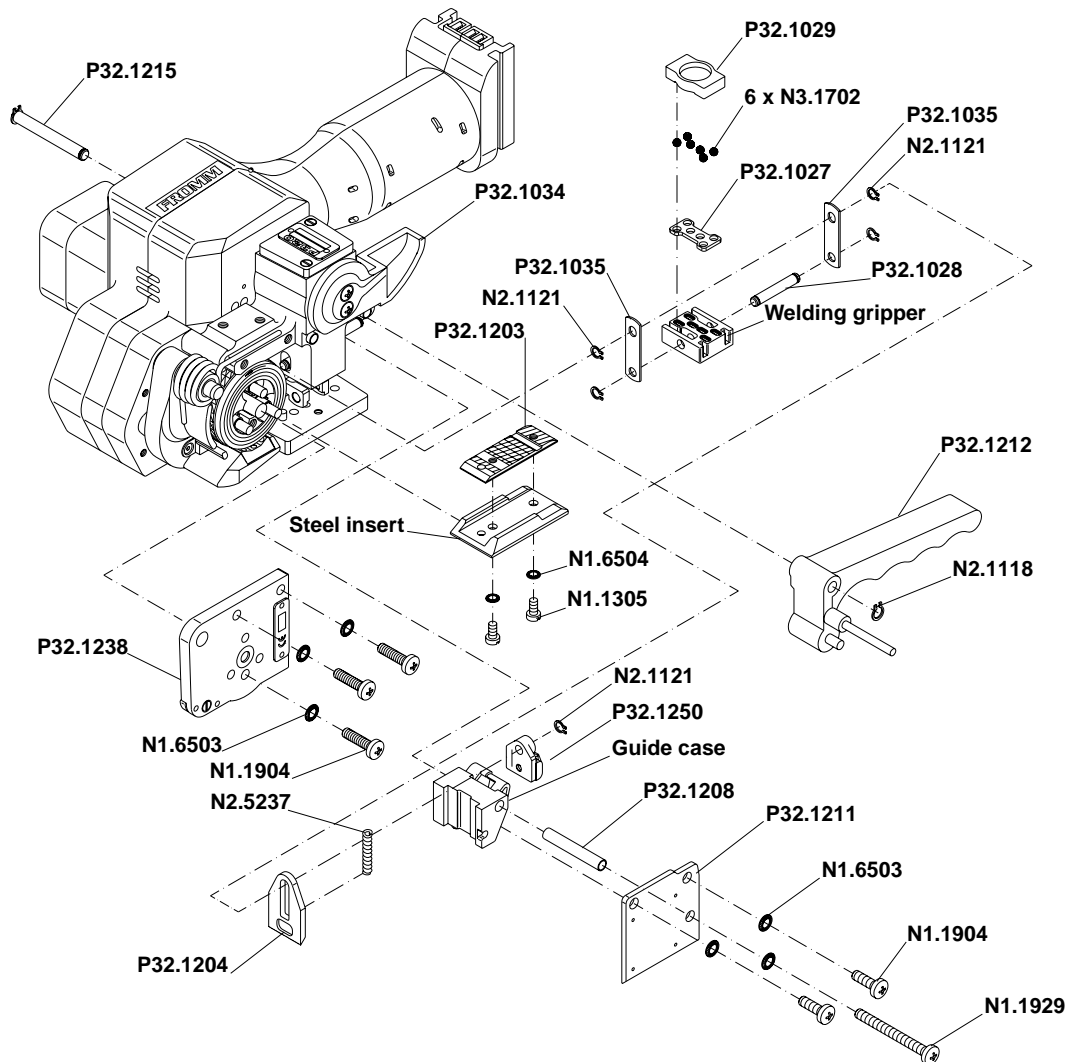


Observe the position of the tensioning wheel. The direction of rotation of the tensioning wheel is marked at the front of the tensioning wheel (see drawing).
Observe the position of the grippers (see drawing).

10.2 Exchange of cutter, welding stop gripper and welding gripper

Disassembling

- Unscrew cover P32.1211 and remove it;
- Unscrew end cover P32.1238 and remove it;
- Disassemble security ring N2.1118, pull the grip axle P32.1215 from the tool;
- Tilt down the handle lever P32.1212 and remove it from the tool;
- Don't loosen screw N1.1553 at the coupler P32.1250.
- Disassemble the security ring N2.1121 from the coupler P32.1250, remove the coupler;
- Pull out the centering sleeve P32.1208 from the guide case to left, disassemble the guide case;
- Pull out the pressure spring N2.5237 with a screw driver from the cutter P32.1204;
- Remove the cutter from the driving pin P32.1032;
- Disassemble the screws N1.1305, lift slightly the welding stop gripper P32.1203 and the steel insert and remove them from the tool;
- Adjust the welding pressure with the adjusting pin to the thickness of the strap 0.40 - 0.57 mm;
- Push the steel insert without welding stop gripper under the welding gripper until it touches the parallel pin N2.2110;
- Turn the lever P32.1034 in welding position;
- Disassemble the safety ring N2.1121 from the bolt P32.1028, remove the bolt from the welding gripper;
- Turn the lever P32.1034 in start position;
- Pull out the steel insert with care to right under the welding gripper;
- Disassemble the security rings N2.1121 from the driving pin P32.1032, remove the driver P32.1035 from the driving pin;
- Lift the rocker P32.1024 behind the welding gripper with a screw driver, remove the welding gripper together with the ball cage P32.1027 and the balls N3.1702 from the tool;
- Lower the rocker, remove the thrust piece P32.1029 from the tool.



Assembling

Assembling in opposite order. Observe the following:

- Pay attention to the proper seat of the thrust piece on the spring bolt P32.1030 when lifting the rocker.
- Pay attention to the fitting position of the cutter (see drawing).

Lubrication

- Lubricate the rocker and the bolt P32.1028 in the area of the welding jaw with Klüber Isoflex NBU 15.
- Lubricate the balls, ball cage and the running surface of the balls on the welding gripper with Klüber Isoflex Alltime SL2.
- Lubricate the cutter and the driver with Esso Beacon 2.

After assembling

Adjust the welding pressure according to the thickness of the strap! (see 5.2.3)

10.3 Adjustment of the coupler P32.1250

The coupler is adjusted in our works.

In case of replacing the seesaw lever, the coupler or the lever body, the coupler has to be readjusted.

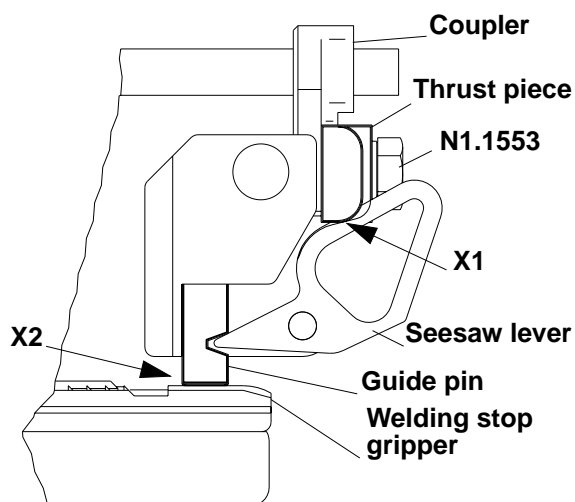
Procedure as follows:

Lever P32.1034 in start position.
The battery is removed from the tool.
The coupler is fitted into the tool.

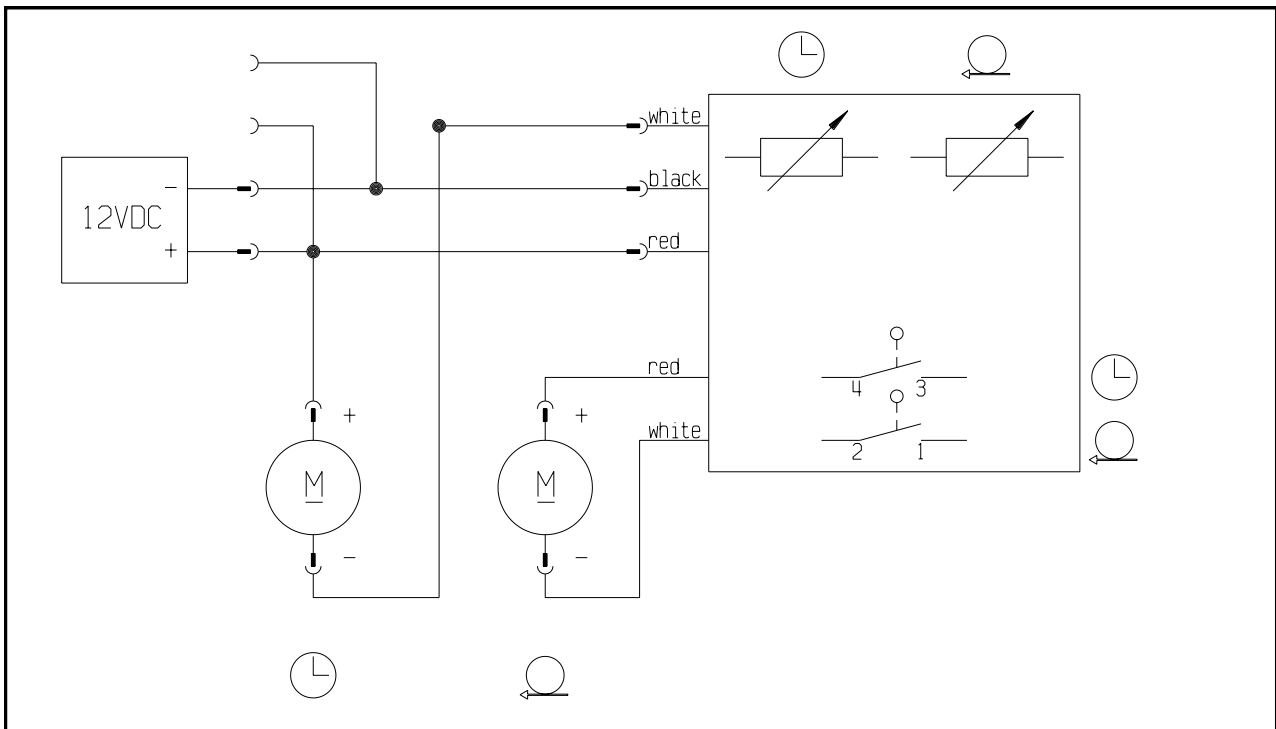
- Loosen screw N1.1553.
- Displace thrust piece P32.1252, so that it touches the two seesaw levers without moving them.
- Retighten screw N1.1553.

Control:

The thrust piece must touch the seesaw levers (X1).
Both guide pins must sit on the welding stop gripper (X2).



11 ELECTRIC SCHEMATIC



12 SERVICE

Servicing and repair work must only be carried out by authorized service centres.

If the tool breaks down or does no longer operate do not disassemble it. Send it fully assembled to the local service centre (see name and address on the rear page of this manual). Use original packing.

The battery powered plastic strapping tool P320 is a high performance tool. We strongly recommend you to have it serviced by an authorized service shop after 12 months at the latest if used one shift per day. If used two or more shifts per day the tool has to be serviced after a shorter period of time.

13 CLEANING

Clean strap gripping parts from strap abrasion regularly using compressed air (do not use any mechanical tool for cleaning).

When cleaning the surface of the tool do not use water or aggressive solvents!