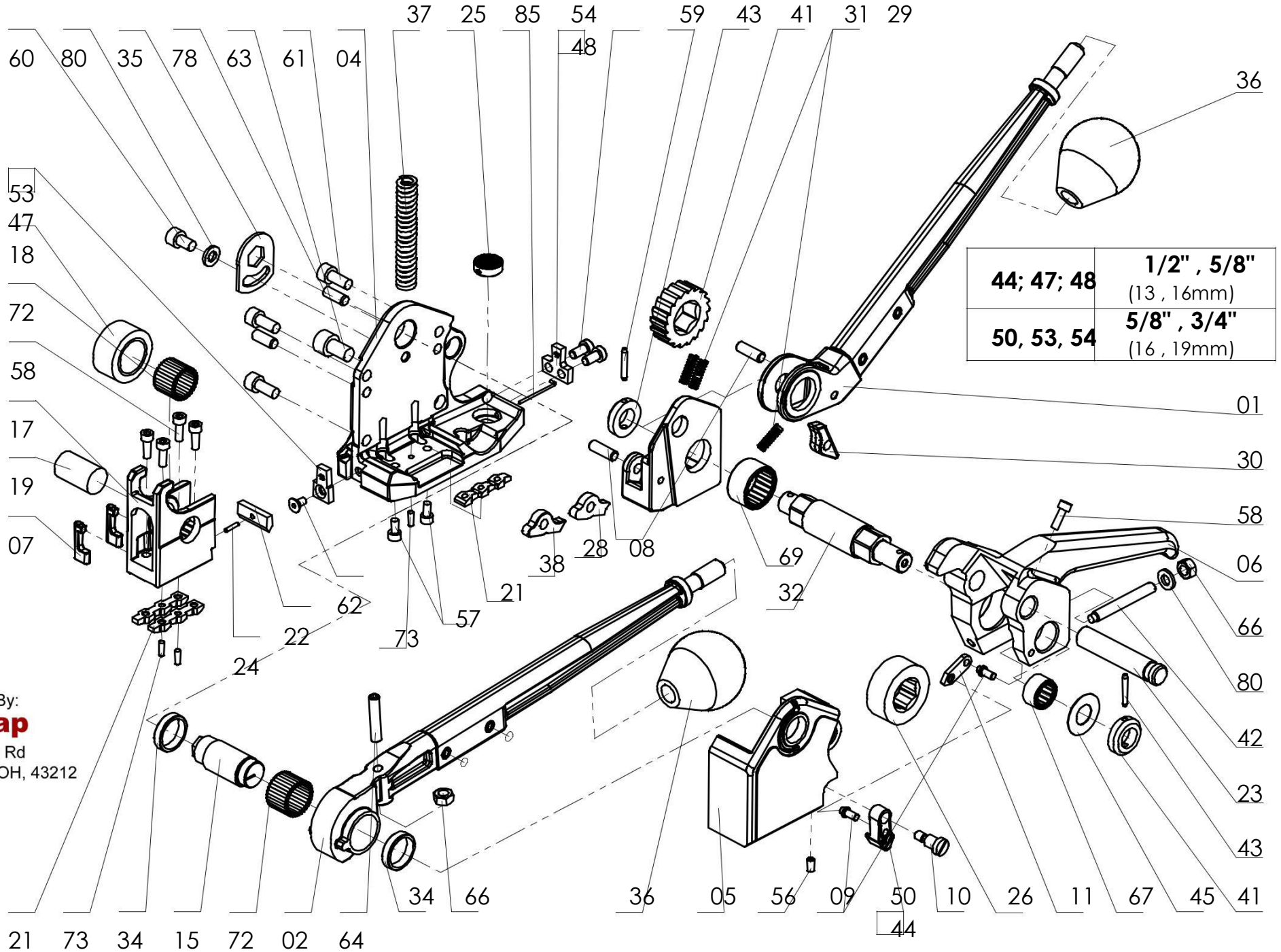


Order from Allstrap 866-779-2673

ASC-16

Sealless Combination Tool for Steel Strapping



Distributed By:
Allstrap
1719 Kenny Rd
Columbus, OH, 43212

Sealless Combination Tool for Steel Strapping

No	KEY No	PART DESCRIPTION	QUANTITY
01	16-01	TENSION HANDLE	1
02	16-02	SEALING HANDLE	1
04	16-04	FRAME	1
05	15-05	SIDE COVER	1
06	16-06	FEED WHEEL SUPPORT HANDLE	1
07	15-07	STRAP LIFTER	2
08	15-08	PAWL SHAFT	2
09	15-09	GUIDE ARM PIN	2
10	15-10	SHOULDERED SCREW	1
11	15-11	GUIDE ARM	1
15	15-15	EXCENTRIC SHAFT	1
17	15-17	DIE HOLDER	1
18	15-18	CAM FOLLOWER	1
19	15-19	DIE HOLDER SHAFT	1
21	15-21	DIE	3
22	15-22	CUTTER BLADE	1
23	15-23	FEED WHEEL SUPPORT SHAFT	1
24	15-24	ROLL PIN 2x9.8	1
25	15-25	CLUTCH PLUG (BOTTOM GRIPPER)	1
26	15-26	FEED WHEEL	1
28	15-28	RETAINING PAWL , SHORT	1
29	15-29	PAWL SPRING	3
30	15-30	HANDLE PAWL	1
31	15-31	RATCHET WHEEL	1
32	16-32	FEED WHEEL SHAFT	1
33	15-33	SUPPORT PLATE	1
34	16-34	RING	2
35	15-35	ADJUSTMENT PLATE	1
36	15-36	KNOB	2
37	15-37	FEED WHEEL SUPPORT SPRING	1
38	15-38	RETAINING PAWL, LONG	1
41	15-41	WASHER	2
42	15-42	ADJUSTMENT SCREW	1
43	15-43	PIN 3x22	2
44	15-44	STRAP GUIDE PAWL, 1/2" - 5/8"	1
45	15-45	WASHER	1
47	16-47	STRAP GUIDE, FRONT, 1/2" - 5/8"	1
48	15-48	STRAP GUIDE, REAR, 1/2" - 5/8"	1
50	15-50	STRAP GUIDE PAWL, 5/8" - 3/4"	1
53	16-53	STRAP GUIDE, FRONT, 5/8" - 3/4"	1
54	15-54	STRAP GUIDE, REAR, 5/8"- 3/4"	1
56	15-56	RETENTION SCREW M4x8	1
57	15-57	SCREW M4x8	2
58	15-58	SCREW M4x12	5
59	15-59	SCREW M5x10	2
60	15-60	SCREW M6x10	1
61	15-61	SCREW M6x14	3
62	15-62	SCREW M4 x 8	1
63	16-63	SCREW M8x14	1
64	16-64	ADJUSTMENT SCREW M6x30	1
66	15-66	NUT M6	2
67	16-67	SMALL BEARING	1
69	15-69	LARGE BEARING	1
72	15-72	SUPPORT ROLLER 2x15.8	59
73	15-73	ROLL PIN 3x9.8	3
78	15-78	ROLL PIN 6x16	2
80	15-80	WASHER	2
85	16-85	RETAINING WIRE	1

Distributed By:

Allstrap1719 Kenny Rd
Columbus, OH, 43212