


# StrapPack<sup>®</sup>

## Pallet Strapping Machine



D-53 HE2

The D-53 HE2 is a vertical pallet strapping machine. It features a tall, slender metal frame with a control panel on the left side. A large roll of yellow strapping is mounted on a horizontal spindle on the right. A vertical arm extends from the top of the frame, holding a coiled spring and a small green and yellow sensor or light. The machine sits on a white circular base with four casters.



D-53 PLT2

The D-53 PLT2 is a horizontal pallet strapping machine. It has a metal frame with a large roll of yellow strapping on a horizontal spindle. The machine is positioned on a white circular base with casters. In the foreground, a wooden pallet is shown with a stack of yellow boxes, demonstrating the machine's application.

# D-53PLT2, D-53HE2

# D-53PLT2, D-53HE2

## Pallet Strapping Machine

### D-53 PLT2

#### ■ Versatile Tension Capability

Manual Tension or Automatic Tension are available by means of a simple selector switch.

#### < Manual Tension Mode >

The strap tension can be controlled manually via the Operation Bar, allowing edge protection to be secured to the pallet prior to strap completion.

#### < Auto Tension Mode >

Strap tension is applied automatically at a preselected level.

#### ■ Simple Operation

Operator friendly! Only the use of the Operation Bar (Manual Tension) and the Start Switch are needed for complete strap operation.

#### ■ 4-Way Pallet Entry

The bayonet height can be adjusted (35 mm, 22.5 mm, 10 mm/ 1.4 in. 0.9 in. 0.4 in.) by a simple lever. Allows cross strapping through various sized pallet openings.

#### ■ Lower Sealing for Small Pallet

Sealing Point is only 340 mm (14 in.) from the floor. Small height pallets can now be strapped easily.

### D-53 HE2

#### ■ Easy Height Adjustment

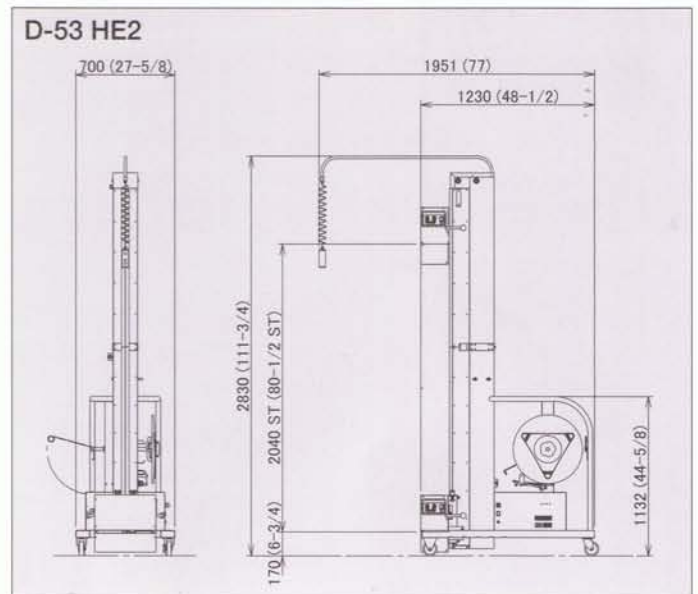
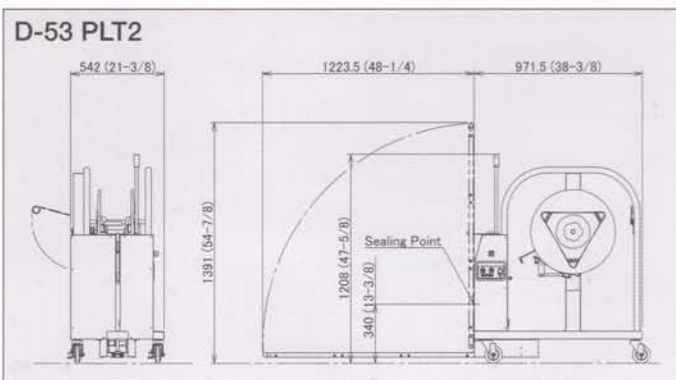
Strapping height is quickly adjusted through the easily operated counterbalance that moves smoothly and effortlessly to the desired strap location.

#### ■ Simple Operation

The innovative pendant switch allows operation of the machine from either side of the load while enabling the operator to control the feeding, tensioning, and sealing of the strap with one hand.

Operator control makes positioning of the strap and/or the placement of corner protection an easy task.

**Battery operated type is also available for both models.**



#### ■ Standard Specifications

milimeters/(inches)

	D-53PLT2	D-53HE2
Dimensions	width 2195 (86-5/8)	width 1230 (48-1/2)
	height 1208 (47-5/8)	height 2830 (111)
	depth 542 (21-3/8)	depth 700 (27-5/8)
Machine Weight	approx 95kg (209lbs)	approx 160Kg (353lbs)
Bayonet Height	10, 22.5, 35 (3/8, 7/8, 1-3/8)	-
Package Size (Height)	380 (15) - free	170-2210 (6-3/4 - 87)
Strap Width	12 (1/2), 15.5 (5/8)	
Strap Tension	90 - 690N (9 - 70kgf) (20 - 156lbs)	
Sealing Method	Heat Seal	
Power Supply	100, 110, 120, 200, 220, 230, 240V Single Phase 50/60Hz 0.4kw	

Modification right reserved.

Pats., U.M. & design registered and/or pending.

© 2003 Strapack Corporation

#### DISTRIBUTED BY:

Distributed By:  
**Allstrap**  
 1719 Kenny Rd  
 Columbus, OH, 43212

#### STRAPACK CORPORATION

7-16-14 Ginza, Chuo-ku Tokyo 104-0061, Japan  
 Phone 81-3-6278-1805 Fax 81-3-6278-1806  
 (URL) <http://www.strapack.com> (E-mail) [info@strapack.com](mailto:info@strapack.com)

#### STRAPACK INC.

30860 San Clemente St. Hayward, CA 94544 U.S.A.  
 Phone 1-510-475-6000 Fax. 1-510-475-6090

#### STRAPACK, N.V./S.A.

Uilenbaan 200, 2160 Wommelgen, BELGIUM  
 Phone 32-3-355-1520 Fax. 32-3-355-1521