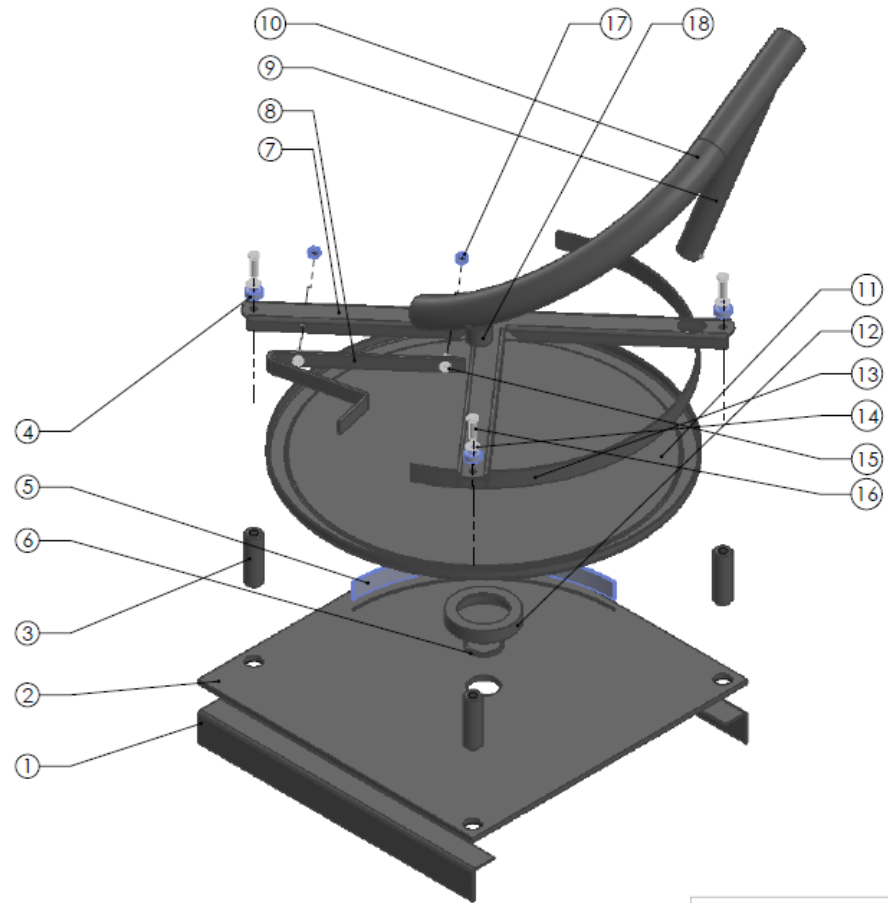


ITEM NO.	PART NUMBER	DESCRIPTION	QTY.
1	X3065-01	BASE BRACKET	2
2	X3065-02	3/8 SQUARE BASE	1
3	X3065-03	VERTICAL SUPPORT	3
4	X3065-04	BUSHINGB2	3
5	X3065-05	ARC BASE	1
6	X3065-06	BASE CENTER	1
7	X3065-07	T-BRACKET SUPPORTB2	1
8	X3065-08	SMALL SHEET METAL BRACKET	1
9	X3065-12	LONG SUPPORT TUBE	1
10	X3065-11	BEND SUPPORT TUBE	1
11	X3065-10	28" DISC BASE	1
12	X3065-09	TOP BEARING SUPPORT	1
13	X3065-13	ARC/DISC	1
14	X3064-17	WASHER	3
15	X3065-18	ALLEN BOLT	2
16	X3065-16	BOLT	3
17	X3065-19	NUT	2
18	X3065-14	SHORT SUPPORT TUBE	1

REVISED HISTORY				
NAME	REV	DESCRIPTION	DATE	APPROVED



Purchase from Allstrap (866) 779-2673

EP-3065		
TITLE: X3065		
SIZE B	DWG. NO.	REV
SCALE: 1:12 WEIGHT:		SHEET 1 OF 1

