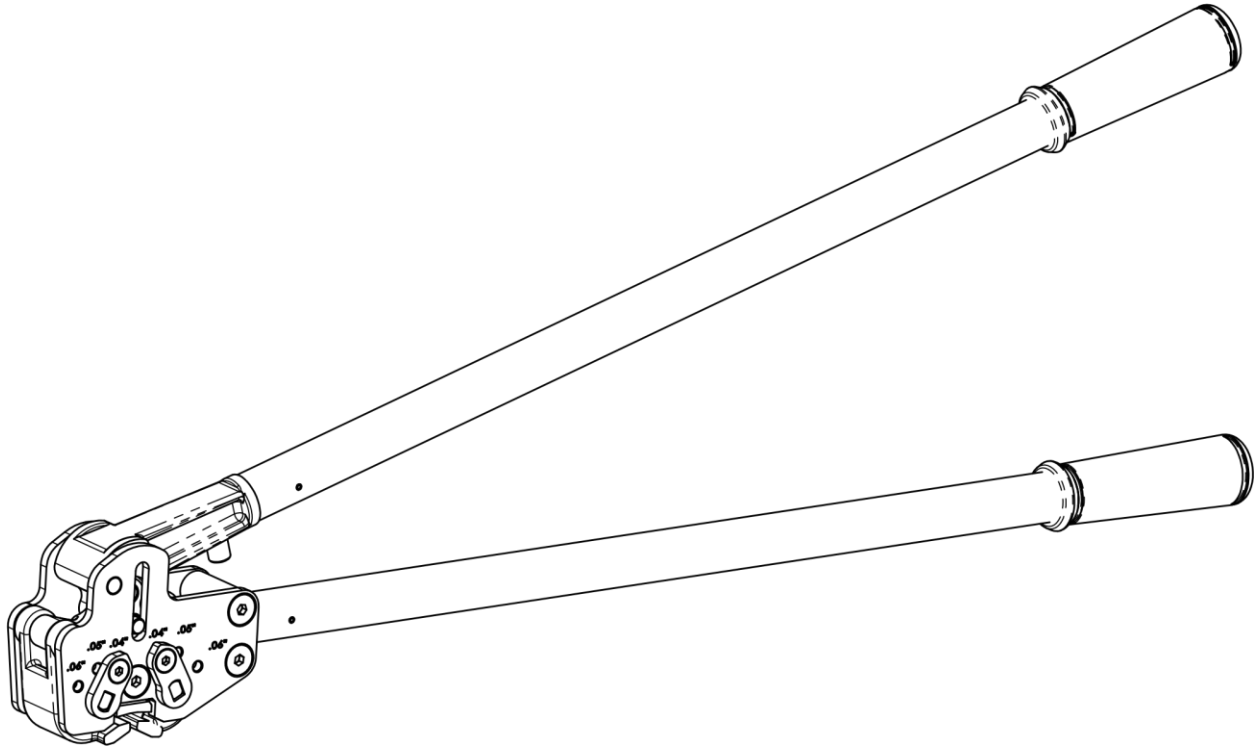


MUL-381 Sealer for POLYESTER

Operation Manual



Strap Type	Polyester (PET)
Strap Width	3/4" (19 mm)
Strap Thickness	Adjustable: 0.040, 0.050, 0.060" (1, 1.27, 1.52 mm)
Joint Type	Seal
Weight	7.6 lbs (3.4 kg)
Handle Length	27.5"

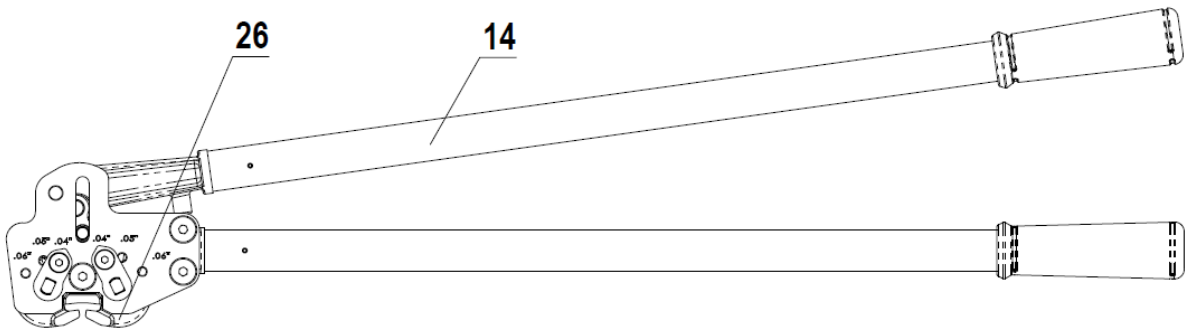


Fig. 1 – Starting Position

1. Make sure that the sealer is set up for appropriate strap thickness. (See adjustment guide for more information). By moving up **Upper Handle Lever 14** open **Jaws 26** to place them on the middle of the **Seal 102** as shown on a Fig.2

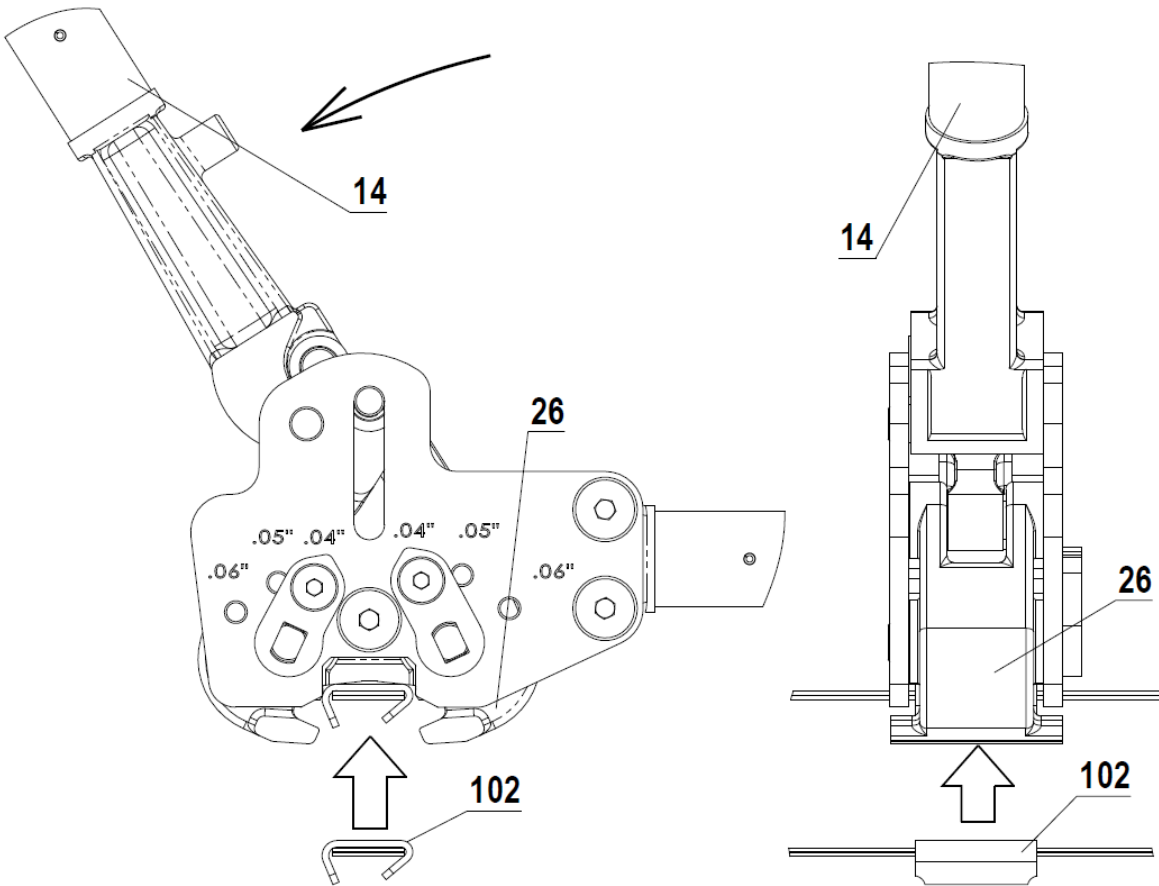


Fig. 2

2. Keeping the **Jaws 26** placed on the middle of the seal move the **Upper Handle Lever 14** to the starting position to close the **Jaws 26** as shown on Fig.3

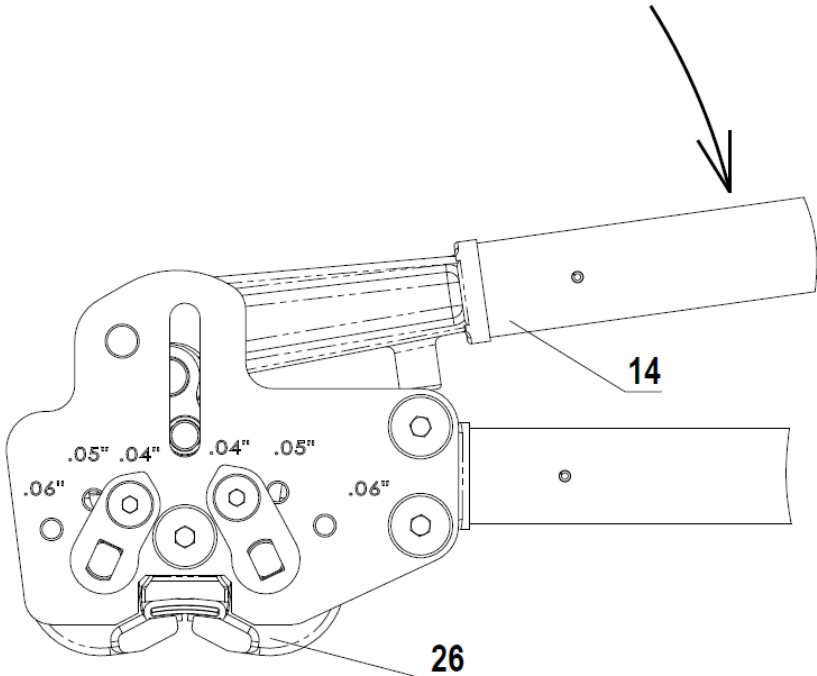


Fig. 3

4. Unclench the **Handle Lever 14** to take the sealer off the seal. The operation cycle is now complete.

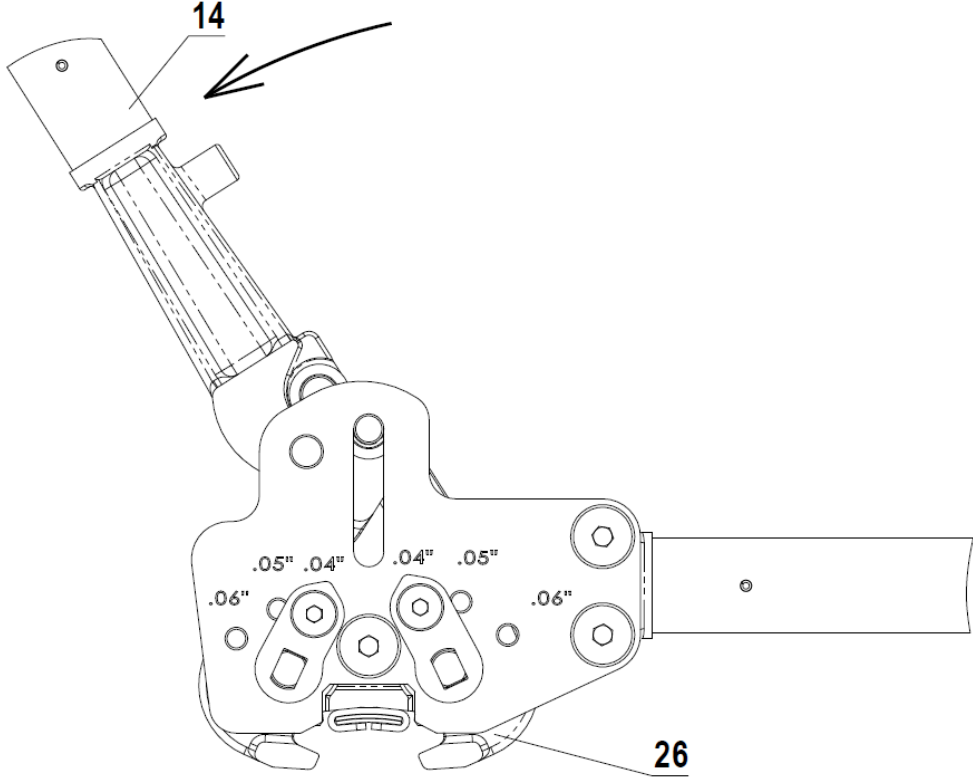


Fig. 4