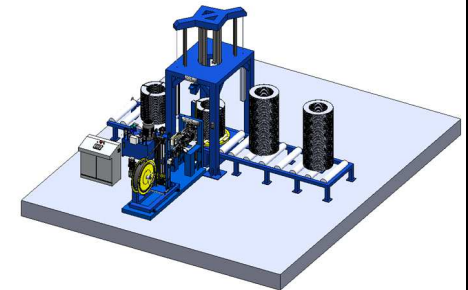
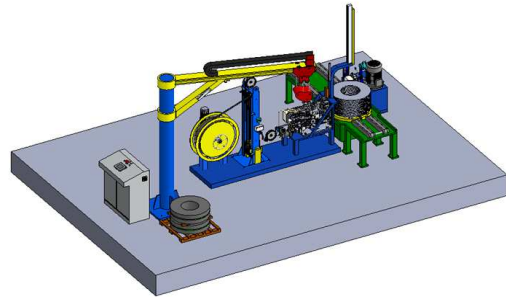


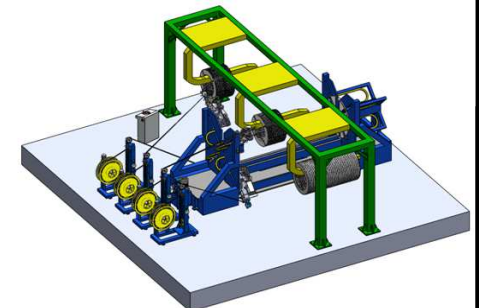
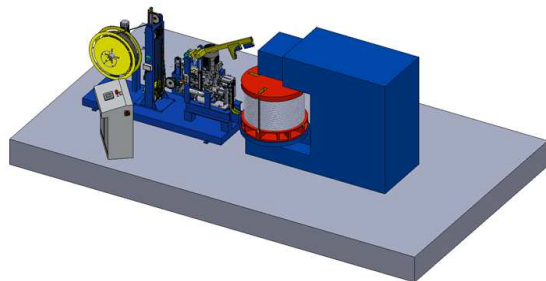


DIFFERENT OPTIONS FOR THE RADIAL (ID) STRAPPING OF WIRE / WIRE ROD

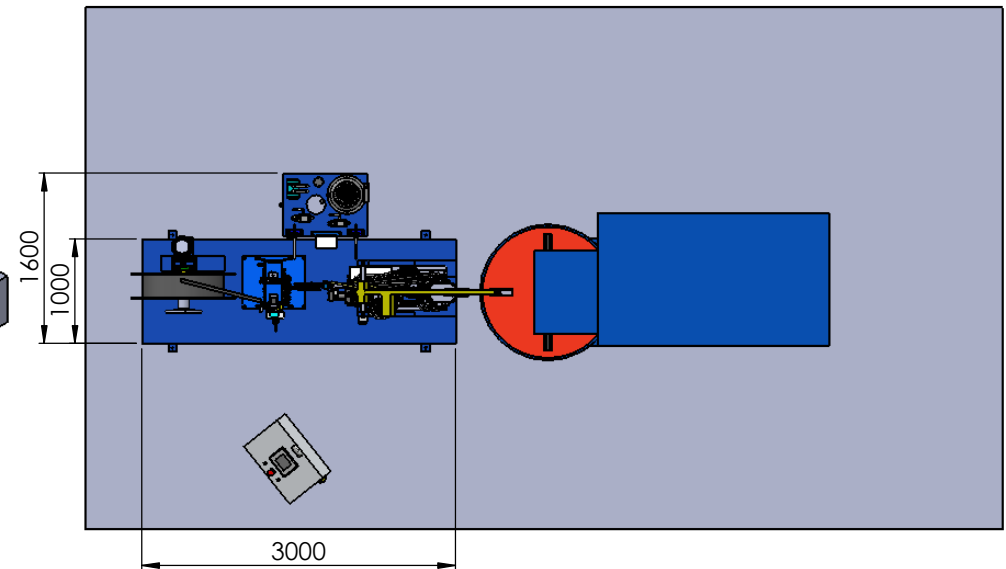
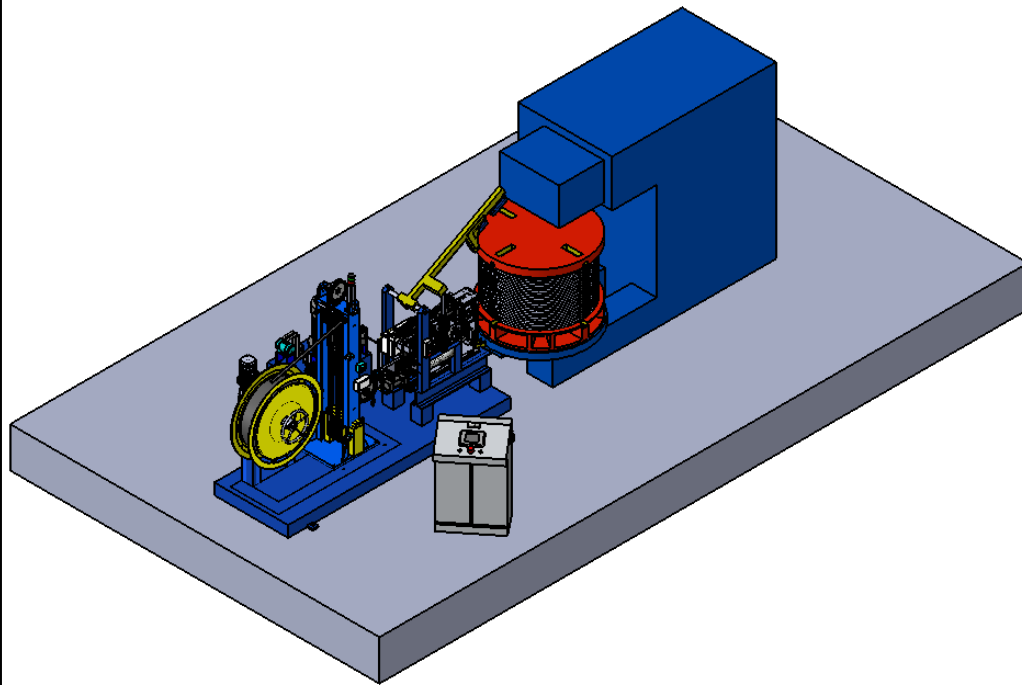
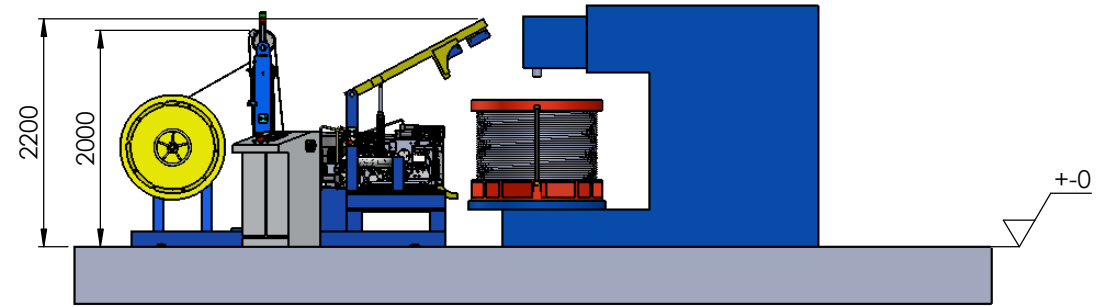
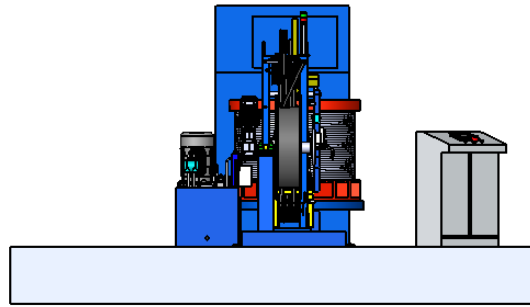


INDEX

Description	Page
RADIAL STRAPPING OF WIRE COILS ON THE COMPACTOR	2
RADIAL STRAPPING OF WIRE COILS	3
COMPACTING & STRAPPING OF WIRE COILS	4
COMPACTING & STRAPPING OF WIRE COILS	5

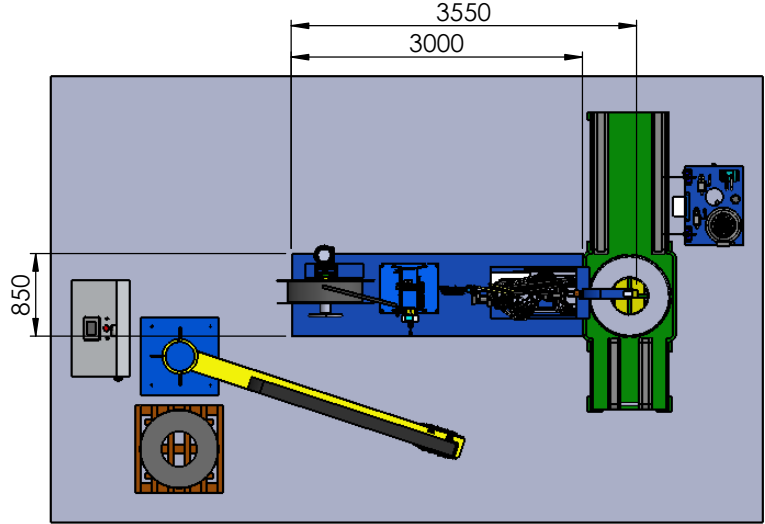
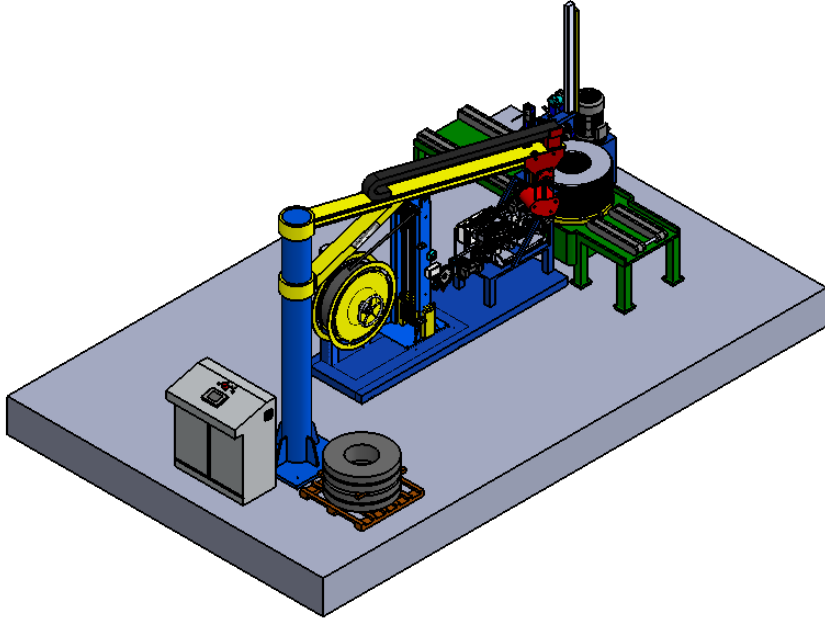
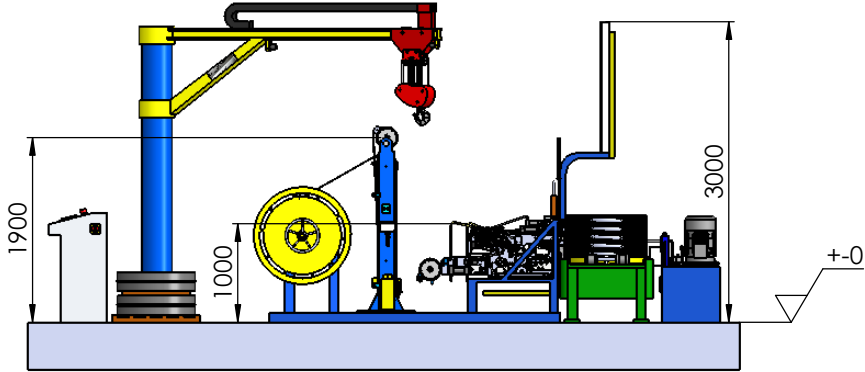
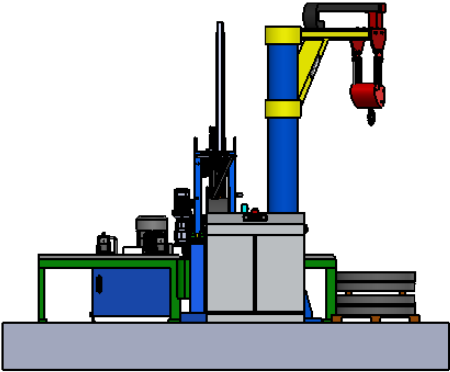


AUTOMATIC STRAPPING MACHINE FOR THE RADIAL (ID) STRAPPING OF WIRE COILS ON THE COMPACTOR



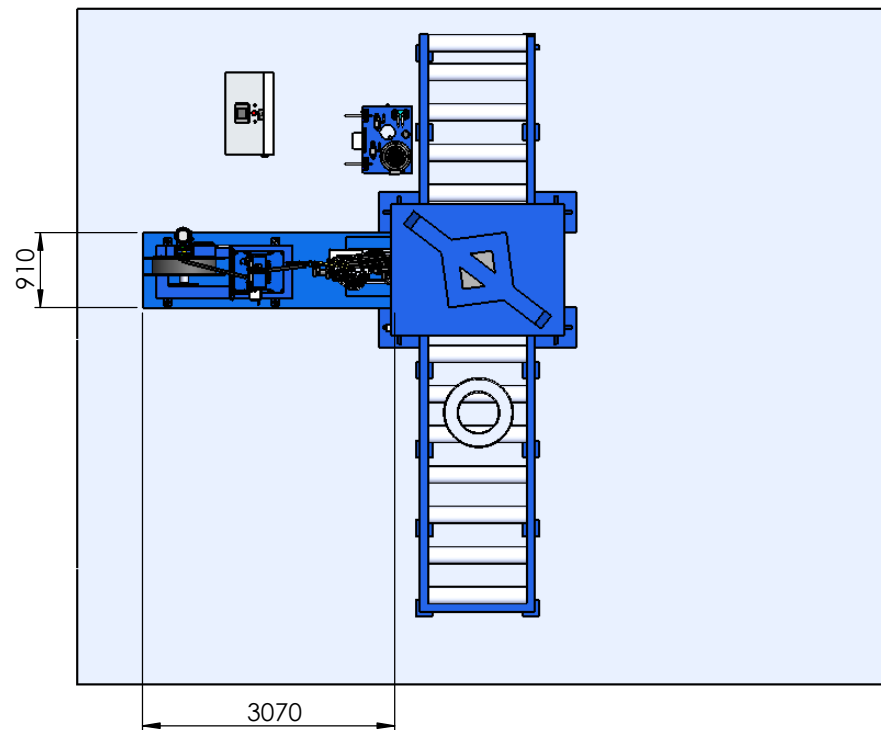
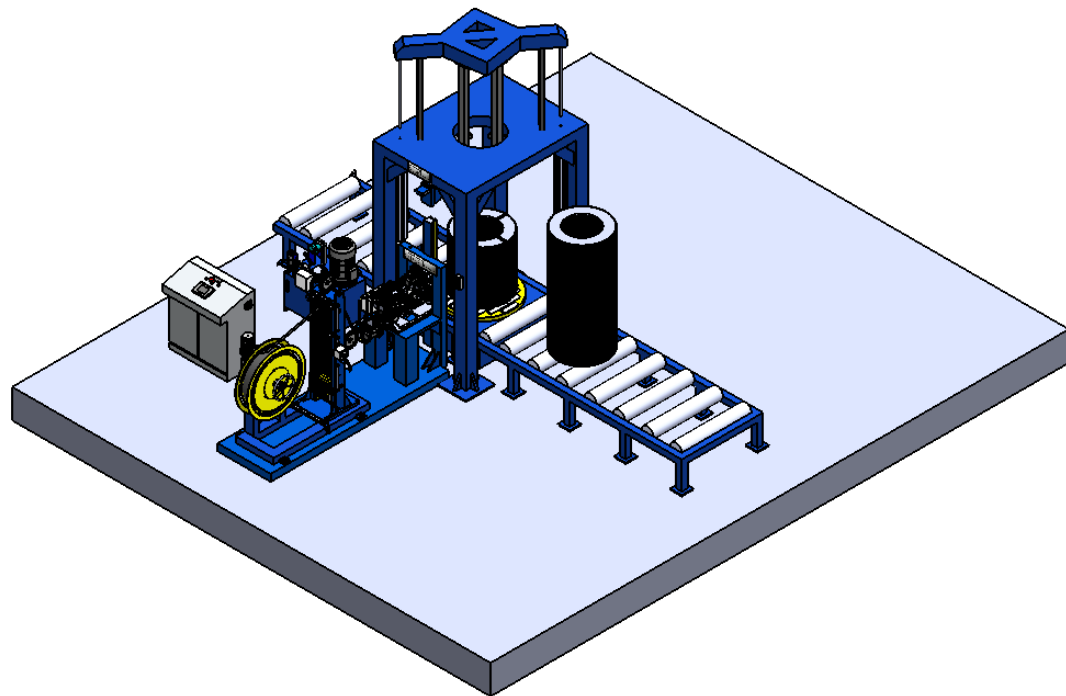
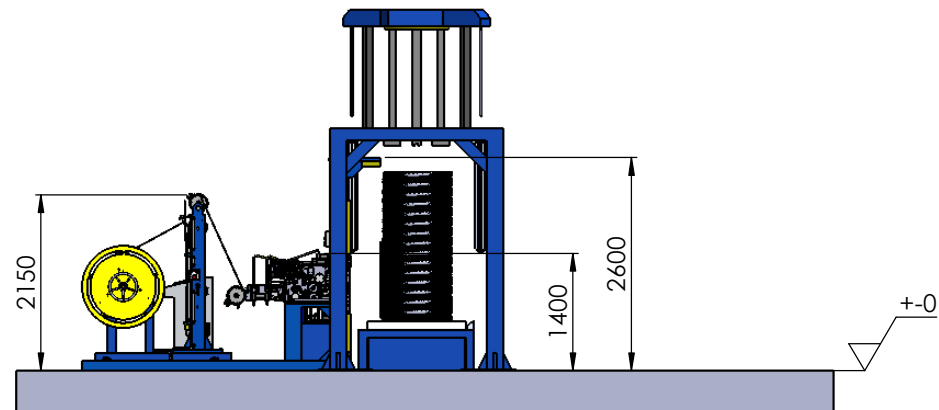
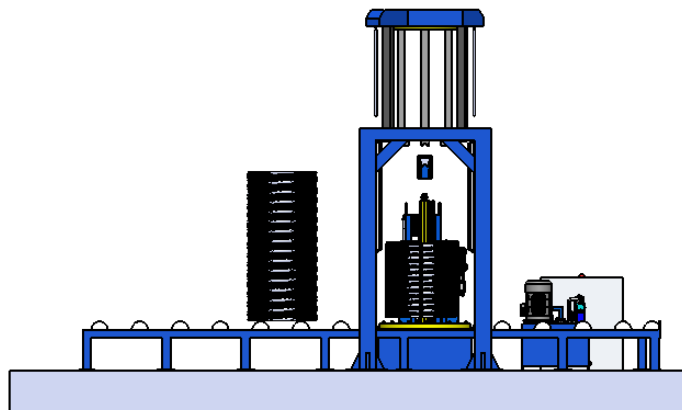
TYPE	KG
STEEL STRAPPING MACHINE	1800
PET STRAPPING MACHINE	1400

AUTOMATIC STRAPPING MACHINE FOR THE RADIAL (ID) STRAPPING OF WIRE COILS WITH INCORPORATION OF "O" RINGS



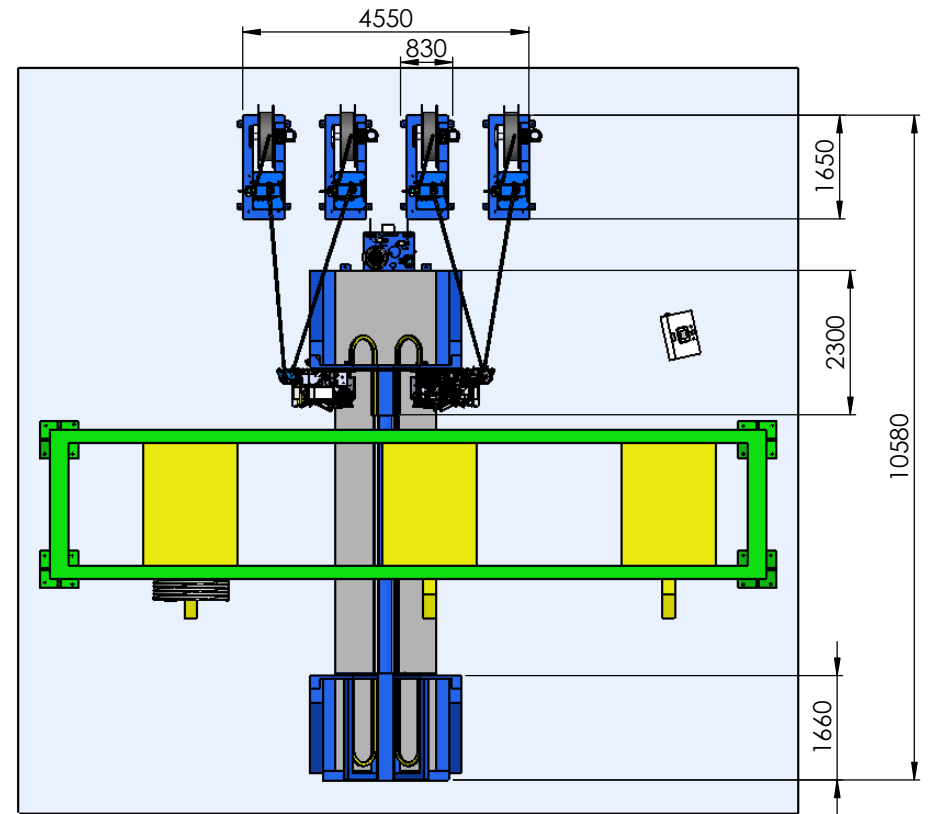
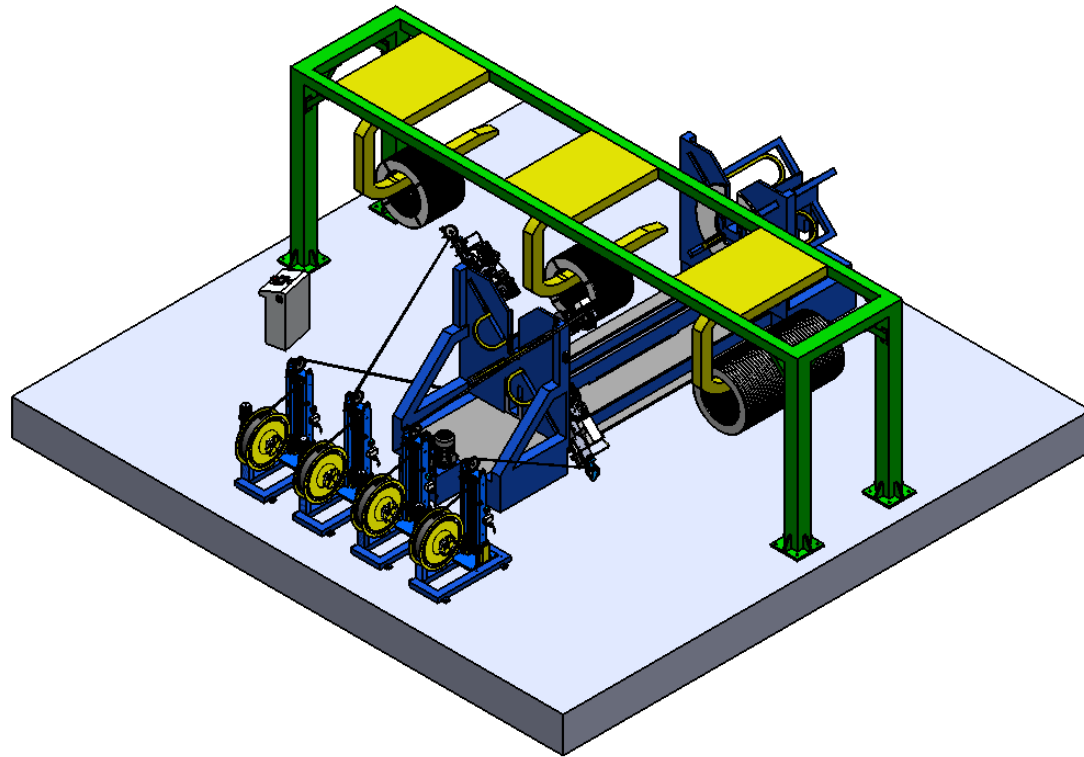
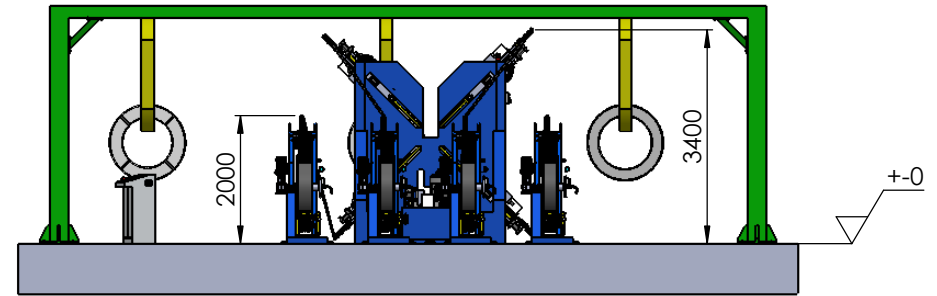
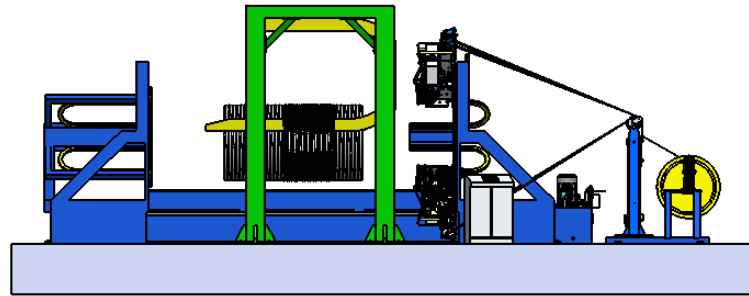
TYPE	KG
STEEL STRAPPING MACHINE	2000
PET STRAPPING MACHINE	1600

AUTOMATIC WIRE COMPACTING + STRAPPING MACHINE FOR THE RADIAL STRAPPING



TYPE	KG
STEEL STRAPPING MACHINE	4900
PET STRAPPING MACHINE	4500

AUTOMATIC WIRE ROD COMPACTING + STRAPPING MACHINE COMPOSED BY FOUR STRAPPING HEADS FOR THE RADIAL STRAPPING



TYPE	KG
STEEL STRAPPING MACHINE	10500
PET STRAPPING MACHINE	9600