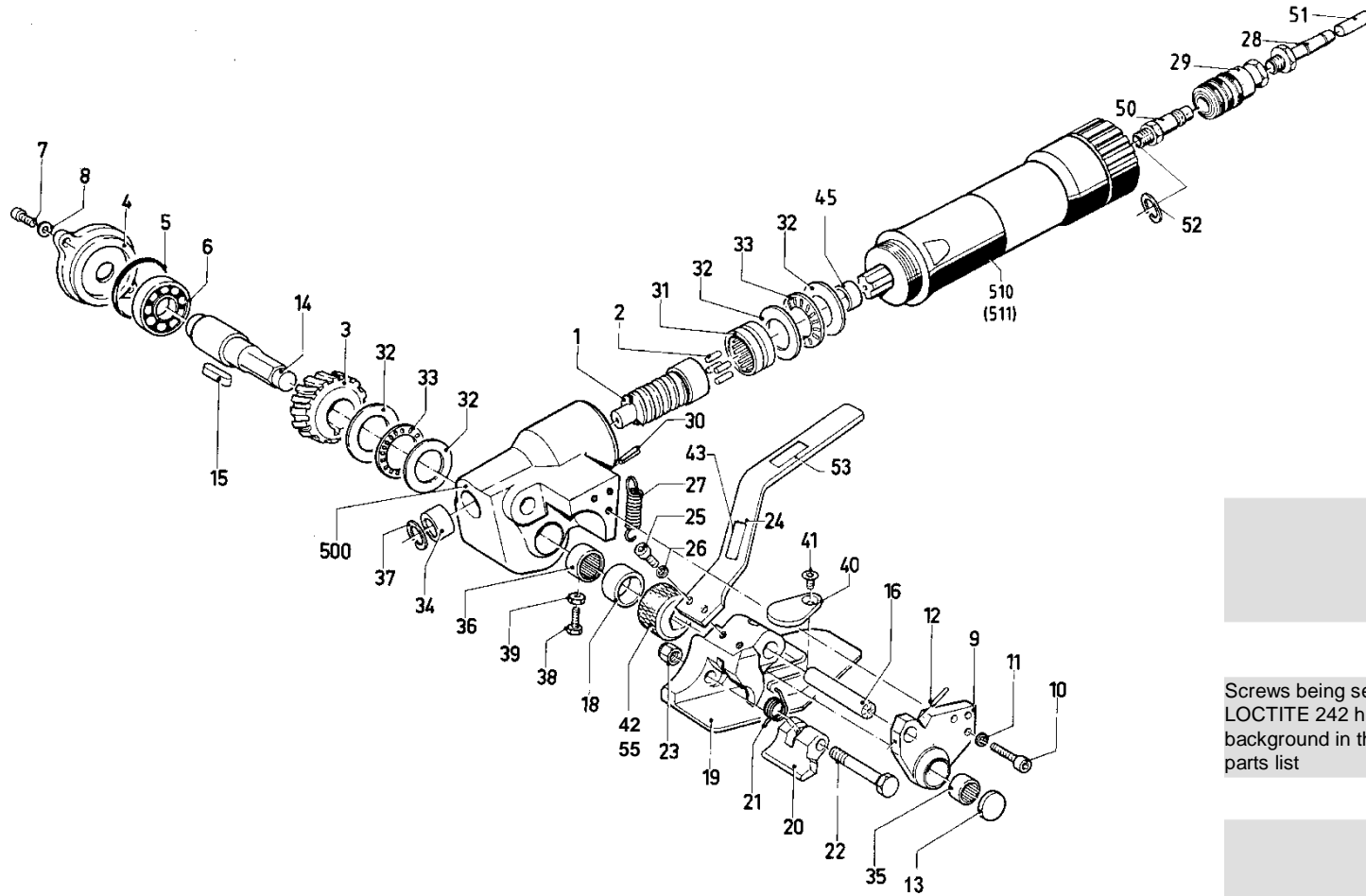


**Order from Allstrap 866-779-2673**

PR33/SPZ/HR32/HHA

H363 EU 20/11



Screws being secured by  
LOCTITE 242 have a grey  
background in the spare  
parts list

11. Exploded drawing

**TITAN**

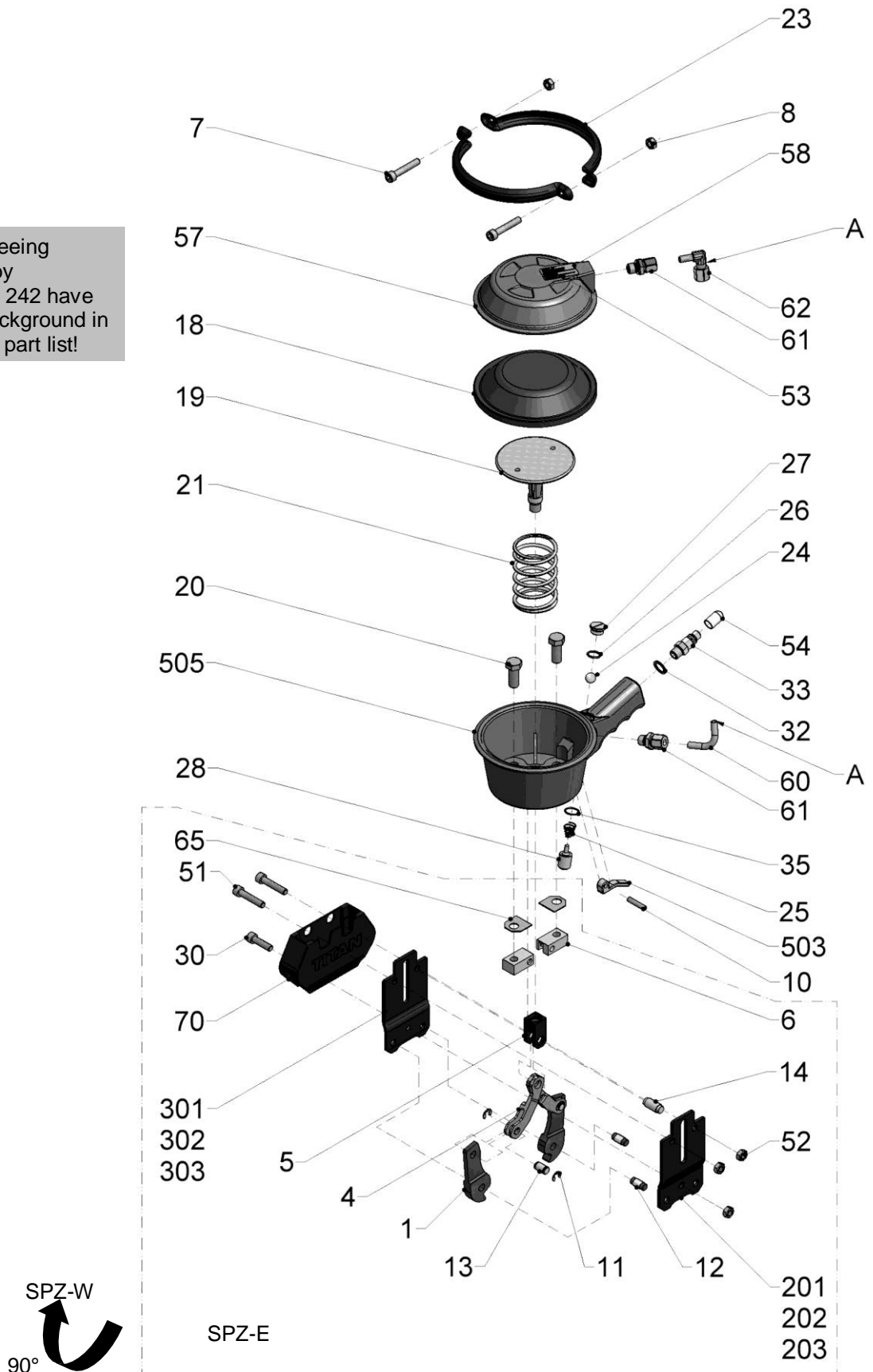
**12. Spare parts list PR33**

Pos.	Description	St. Pcs	Pc.
1	<b>Worm</b>	1	
2	Pin Ø4m6 x 20	4	
3	<b>Worm wheel</b>	1	
4	<b>Gear cover</b>	1	
5	O-ring Ø45 x 1,5	1	
6	Deep-groove ball bearing	1	
7	Screw M6 x 16	3	
8	Washer	3	
9	<b>Bearing plate</b>	1	
10	Screw M6 x 25	3	
11	Washer	3	
12	Pin Ø3 x 20	1	
13	Sealing washer	1	
14	<b>Conveyance shaft</b>	1	
15	Key	1	
16	<b>Pintle</b>	1	
18	<b>Distance sleeve</b>	1	
19	<b>Tension element</b>	1	V
20	<b>Articulated rail</b>	1	V
21	Leg spring	1	V
22	Screw M8 x 55	1	
23	Nut – M8	1	
24	<b>Handle</b>	1	
25	Screw M6 x 12	2	
26	Washer	2	
27	Tension spring	1	V
28	Beak	1	
29	Quick-acting coupling	1	
30	Pin Ø5 x 24	1	
31	Needle bearings	1	
32	Wave washer	4	
33	Axial needle collar	2	
34	Needle bush	1	
35	Needle bush	1	

Pos.	Description	St. Pcs Pc.	
36	Needle bush	1	
37	Circlip	1	
38	Adjusting screw	1	
39	Nut – M6	1	
<b>40</b>	<b>Guide plate</b>	<b>1</b>	<b>V</b>
41	Screw M6 x 10	1	
<b>42</b>	<b>Idler</b>	<b>1</b>	<b>V</b>
43	Nameplate	1	
44	Groove pin	2	
<b>45</b>	<b>Centring bush</b>	<b>1</b>	
<b>46</b>	<b>Turning sleeve</b>	<b>1</b>	
50	Coupling plug	1	
51	Cap	1	
52	Distance washer	1	
53	Operating pressure plate	1	
<b>55</b>	<b>tensioning wheel (HT)</b>	<b>1</b>	<b>V I</b>
500	Gearbox	1	
510	Compressed air motor	1	
511	Compressed air motor	1	R

**13. Exploded drawing**

Screws beeing secured by LOCTITE 242 have a grey background in the spare part list!



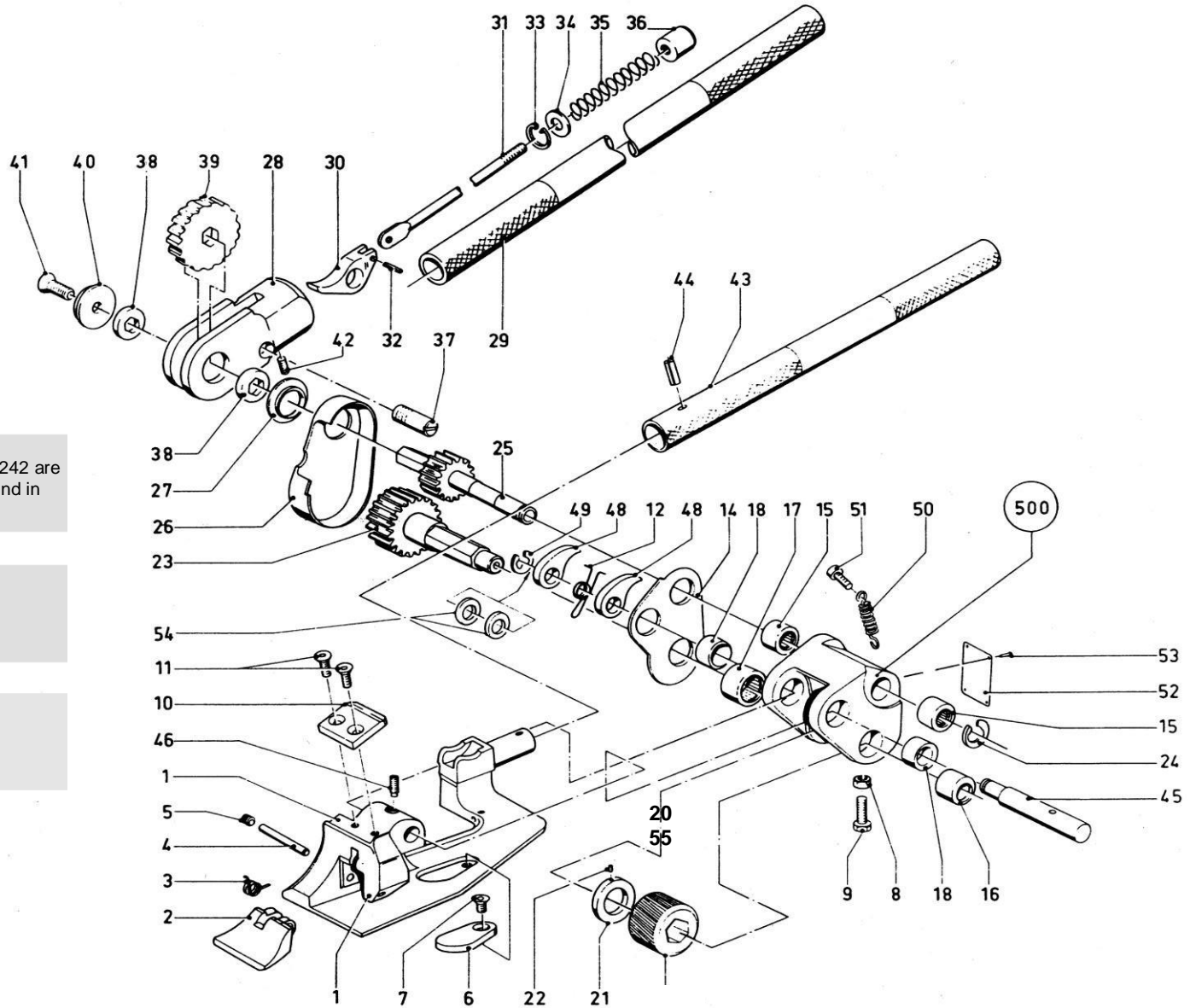
**14. Spare parts list**

Pos.	Description	St. Pcs Pc.	
1	<b>Screw die</b>	2	V
4	<b>Articulated lever</b>	2	
5	<b>Swivel head</b>	1	
6	<b>Plate fastening</b>	2	
7	Screw M8 x 45	2	
8	Nut – M8	2	
10	Screw M6 x 30	1	
11	Plate	4	
12	<b>Tong head pivot</b>	2	
13	<b>Swivel head pivot</b>	2	
14	<b>Swivel head pivot</b>	1	
18	Diaphragm	1	
19	<b>Piston</b>	1	
20	Screw M12 x 30	2	
21	Pressure spring	1	
23	Strap half	2	
24	Ball	1	
25	Pressure spring	1	V
26	O-ring Ø14 x 2	1	
27	Seal	1	
28	<b>Valve pivot</b>	1	
30	Screw M8 x 30	1	
32	Gasket	1	
33	Coupling plug 1/4"	1	
35	O-ring Ø16 x 1,5	1	
36	Quick-acting coupling 3/8"	1	
37	Beak	1	
51	Screw M8 x 40		
52	Nut – M8	2	
53	Operating pressure plate	3	
54	Cap	1	
57	<b>Cylinder cover</b>	1	
58	Nameplate	1	
60	Elbow	1	

<b>Pos.</b>	<b>Description</b>	<b>St. Pcs Pc.</b>	
61	Straight male stud coupling	2	
62	Adjustable angle	1	
<b>65</b>	<b>Spacer plate</b>	<b>2</b>	
<b>70</b>	<b>Rubber protection</b>	<b>1</b>	
201	End plate with thread 32mm	1	V
202	End plate with thread 25mm	1	V
203	End plate with thread 19mm	1	V
301	End plate without thread 32mm	1	V
302	End plate without thread 25mm	1	V
303	End plate without thread 19mm	1	V
<b>503</b>	<b>Angled lever</b>	<b>1</b>	
<b>505</b>	<b>Lower part of casing, complete</b>	<b>1</b>	
	incl. items 24,26,27,29, 31-33,35, 60 - 62		

# Order from Allstrap 866-779-2673

Exploded drawing HR 32



Screws secured by LOCTITE 242 are provided with a grey background in the spare parts list.

PR33/SPZ/HR32/HHA

H363 EU 20/11

60 / 66

**16. Spare parts list**

Pos.	Description	Dénomination	St. Pcs	Pc.
1	Round tensioning element	Corps de tension rond	1	V
2	Buckling rail	Listel de flambage	1	V
3	Leg spring	Ressort d'aile	1	V
4	Pin Ø6m6 x 40	Goupille Ø6m6 x 40	1	
5	Screw M8 x 8	Vis M8 x 8	1	
6	Sliding plate	Plaque de glissement	1	V
7	Screw M6 x 10	Vis M6 x 10	1	
8	Nut – M6	Ecrou – M6	1	
9	Adjusting screw	Vis de réglage	1	
10	Stop plate	Plaque de butée	1	
11	Screw M6 x 12	Vis M6 x 12	2	
12	Leg spring	Ressort d'aile	1	V
14	Bearing plate	Flasque	1	
15	Needle bush	Douille d'aiguille	2	
16	Needle sleeve	Douille d'aiguille	1	
17	Needle bush	Douille d'aiguille	1	
18	Drill bush	Douille de perçage	2	
20	Idler	Roulette de tension	1	V
21	Collar	Bague de butée	1	
22	Screw M3 x 5	Vis M3 x 5	1	
23	Long-face pinion	Arbre formant pignon	1	
24	Washer	Rondelle d'arrêt	1	
25	Pinion shaft	Arbre de pignon	1	
26	Gear cover	Couvercle d'engrenage	1	
27	Sealing washer	Rondelle d'usure	1	
28	Fork head	Tête de fourche	1	
29	Pipe for ratchet wrench	Tube pour levier de cliquet	1	
30	Tension catch	Poignée de serrage	1	
31	Bar for release	Tige pour encochage	1	
32	Pin Ø4 x 10	Goupille Ø4 x 10	1	
33	Circlip	Circlip	1	
34	Disk	Rondelle	1	
35	Pressure spring	Ressort de pression	1	V
36	Pusher	Poussoir	1	

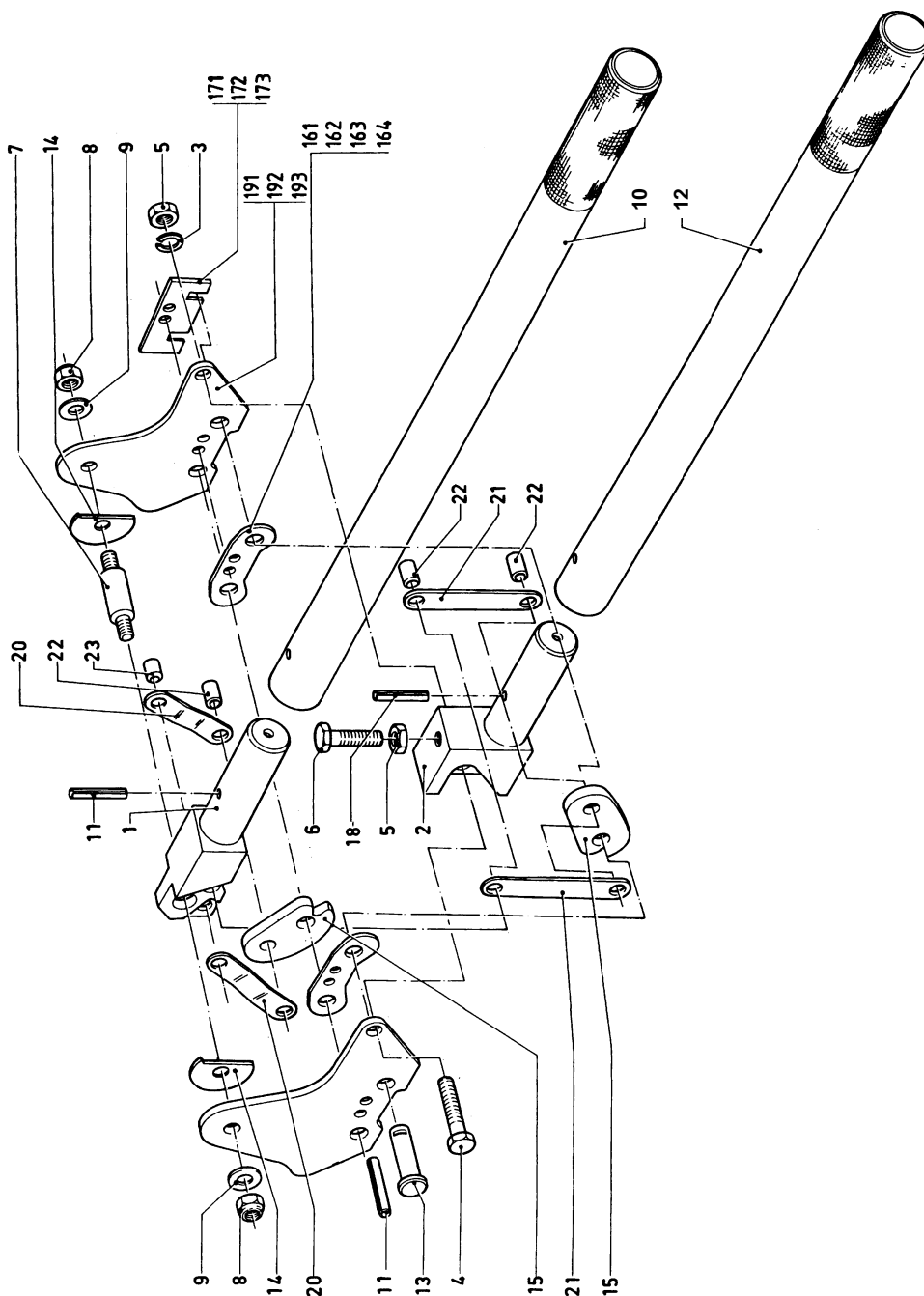
B = If necessary

O = Option



Pos	Description	St. Pcs Pc.	
37	Headless Screw	1	
38	Bearing ring with hexagon socket	2	
39	Ratchet	1	
40	Disk	1	
41	Screw – M8 x 16	1	
42	Screw – M5 x 8	1	
43	Pipe for body	1	
44	Pin – Ø4 x 22	1	
45	Axle	1	
46	Threaded Pin – M6 x 10	1	
48	Detent blade, long	2	
49	Circlip	1	
50	Tension spring	1	V
51	Screw M6 x 10	1	
52	Type plate	1	
53	Round head grooved pin Ø2 x 5	4	
54	Shim ring	2	
55	Tensioning Wheel (HT)	1	V I
500	Steel rocker, complete	1	

17. Exploded drawing



**18. Spare parts list**

Pos.	Description	St. Pcs Pc.	
1	<b>Punching lever</b>	1	
2	<b>Tongs holder</b>	1	
3	Spring washer	1	
4	Screw M8 x 35	1	
5	Nut – M8	2	
6	Screw M8 x 30	1	
7	<b>Punching lever pivot</b>	1	
8	Nut – M8	2	
9	Disk	2	
10	<b>Lever</b>	1	
11	Pin Ø6 x 28	2	
12	<b>Lever</b>	1	
13	<b>Pivot</b>	2	
14	<b>Pivot pressure plate</b>	2	
15	<b>Cutter insert</b>	2	V
18	Pin Ø6 x 30	2	
20	<b>Toggle</b>	2	
21	<b>Toggle</b>	2	
22	<b>Pivot</b>	3	
23	<b>Pivot</b>	1	
161	<b>Bracket 19 mm</b>	2	V
162	<b>Bracket 25 mm</b>	2	V
163	<b>Bracket 32 mm</b>	2	V
164	<b>Bracket 32 mm</b>	2	V
171	<b>Slider 19 mm</b>	1	
172	<b>Slider 25 mm</b>	1	
173	<b>Slider 32 mm</b>	1	
191	<b>Cover plate 19 mm</b>	2	
192	<b>Cover plate 25 mm</b>	2	
193	<b>Cover plate 32 mm</b>	2	

**Order from Allstrap 866-779-2673**

**The TITAN  
range of products**

**Strapping tools**

for steel and plastic strap

**Strapping machines and  
aggregates**

for steel and plastic strap

**Baling systems**

for steel and plastic strap

**Crimp systems**

**Strip joining devices**

**Strapping**

Steel and plastic strap

**Seals**

**Accessories**

Distributed By:

**Allstrap**

1719 Kenny Rd

Columbus, OH, 43212